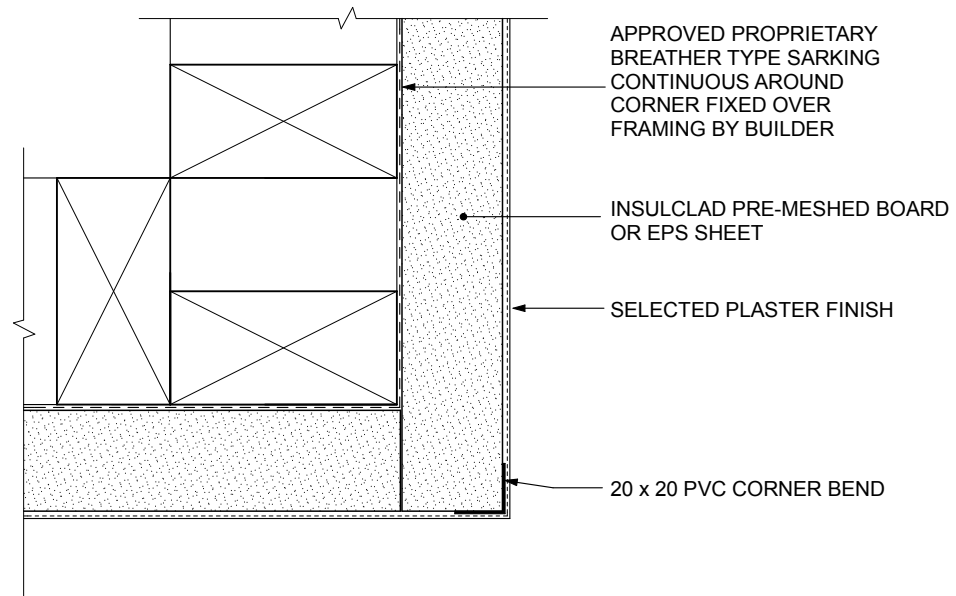


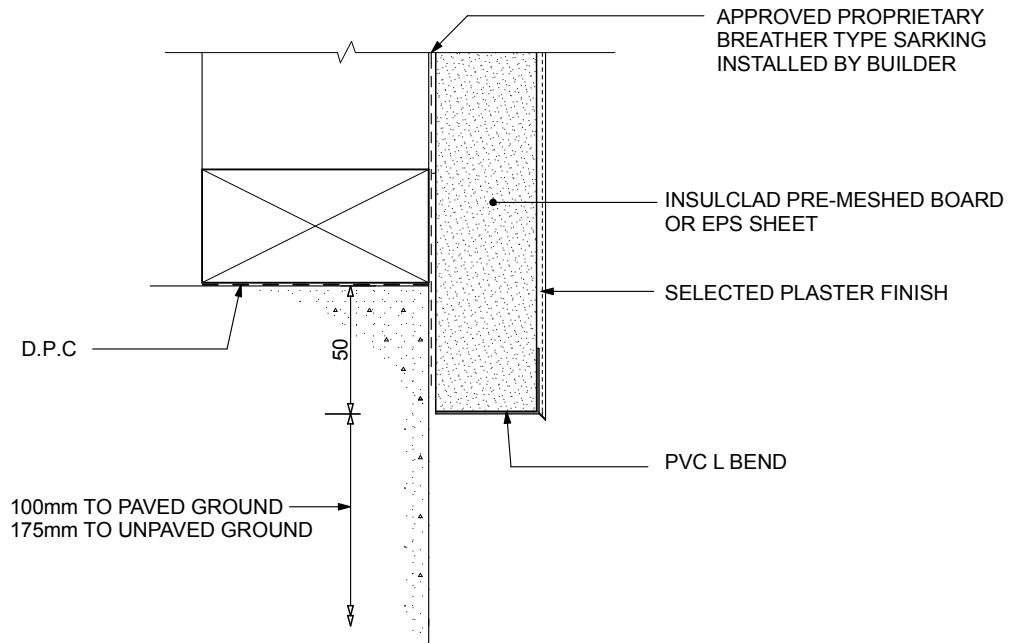
INTERNAL SQUARE CORNER - DIRECT FIXED

NOVEMBER 2010



EXTERNAL SQUARE CORNER - DIRECT FIXED

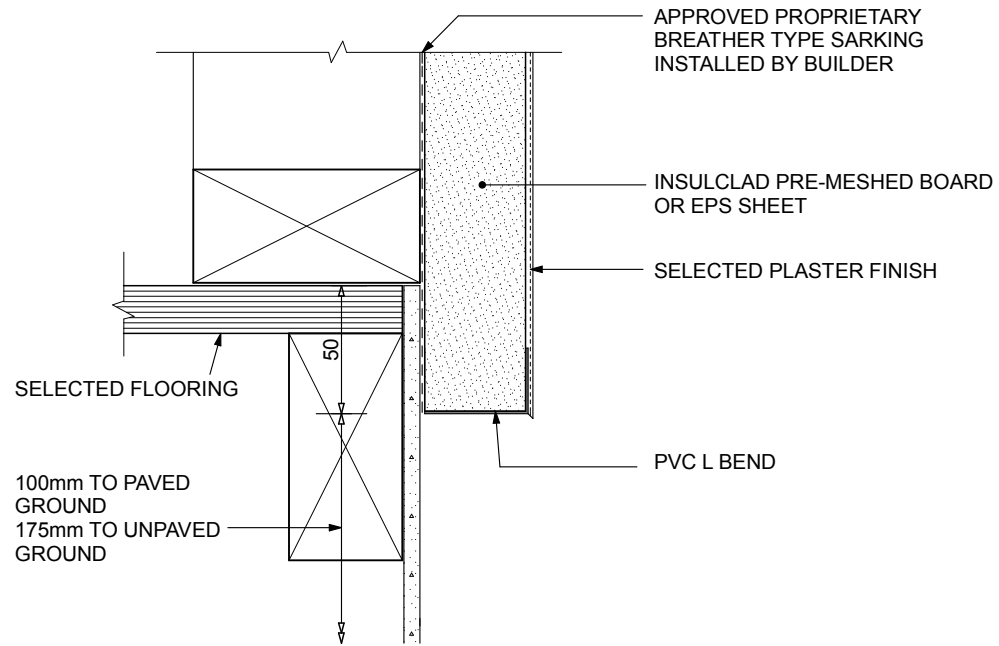
NOVEMBER 2010



CONCRETE SLAB FLOOR - DIRECT FIXED

NOVEMBER 2010

NOTE:
TERMITE BARRIERS TO BE INSTALLED AS REQUIRED BY THE BCA. SEEK PROFESSIONAL ADVICE

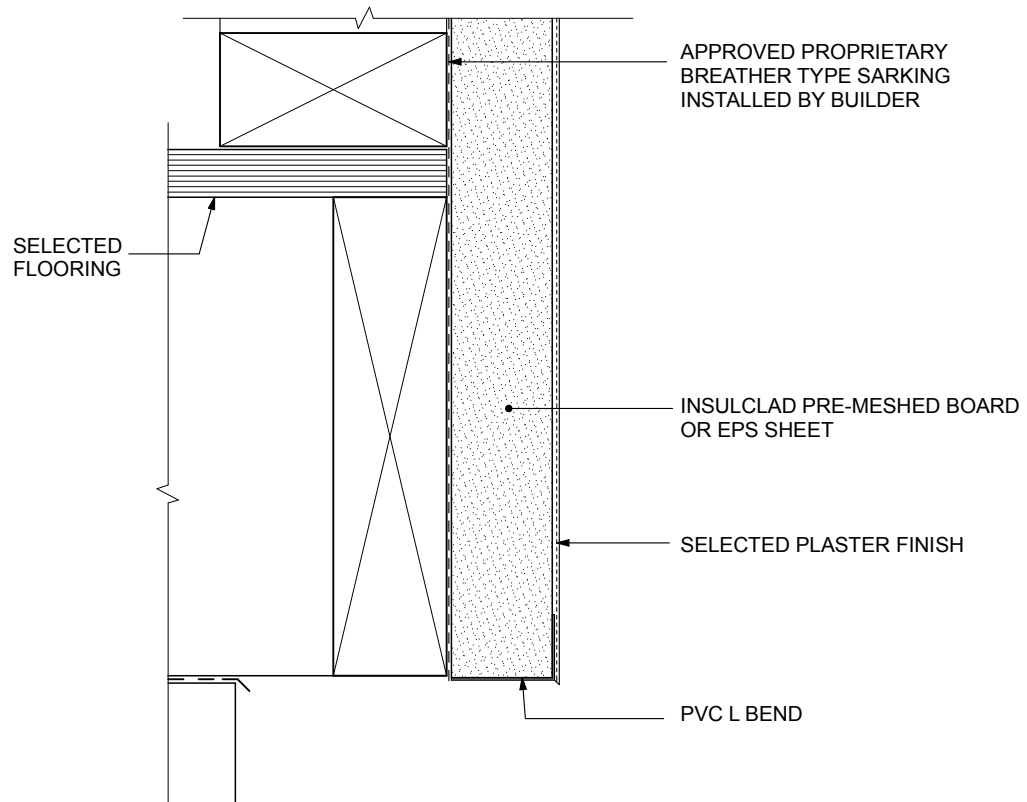


TIMBER FLOOR FOUNDATION - DIRECT FIXED

NOVEMBER 2010

NOTE:

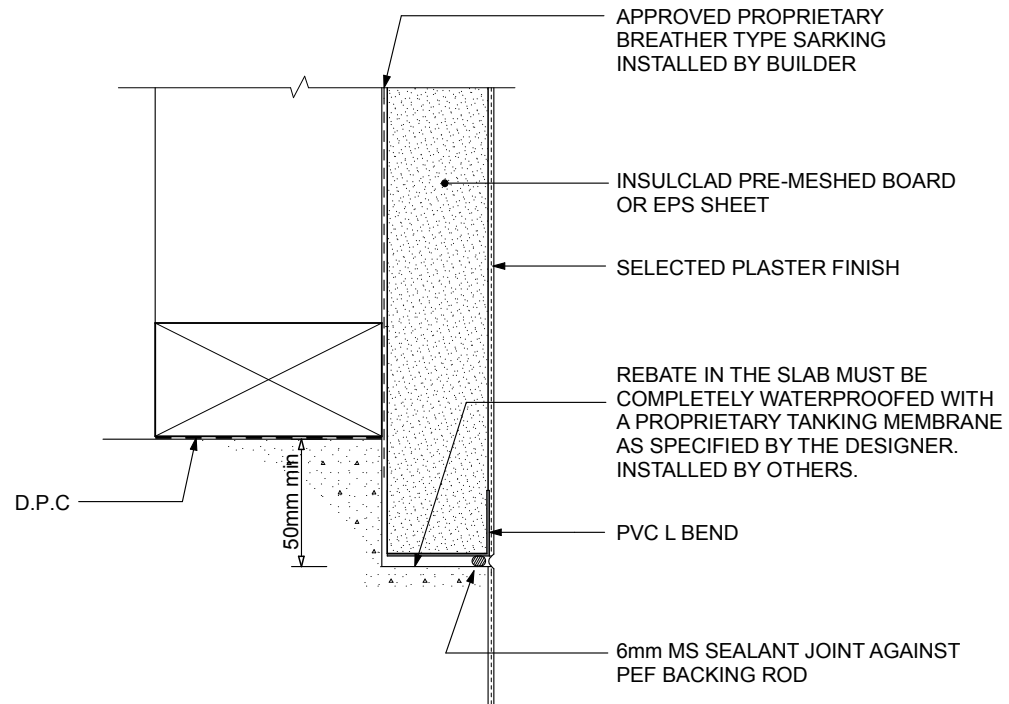
TERMITE BARRIERS TO BE INSTALLED AS REQUIRED BY THE BCA. SEEK PROFESSIONAL ADVICE



TIMBER FLOOR FOUNDATION - DIRECT FIXED

NOVEMBER 2010

NOTE:
TERMITE BARRIERS TO BE INSTALLED AS REQUIRED BY THE BCA. SEEK PROFESIONAL ADVICE

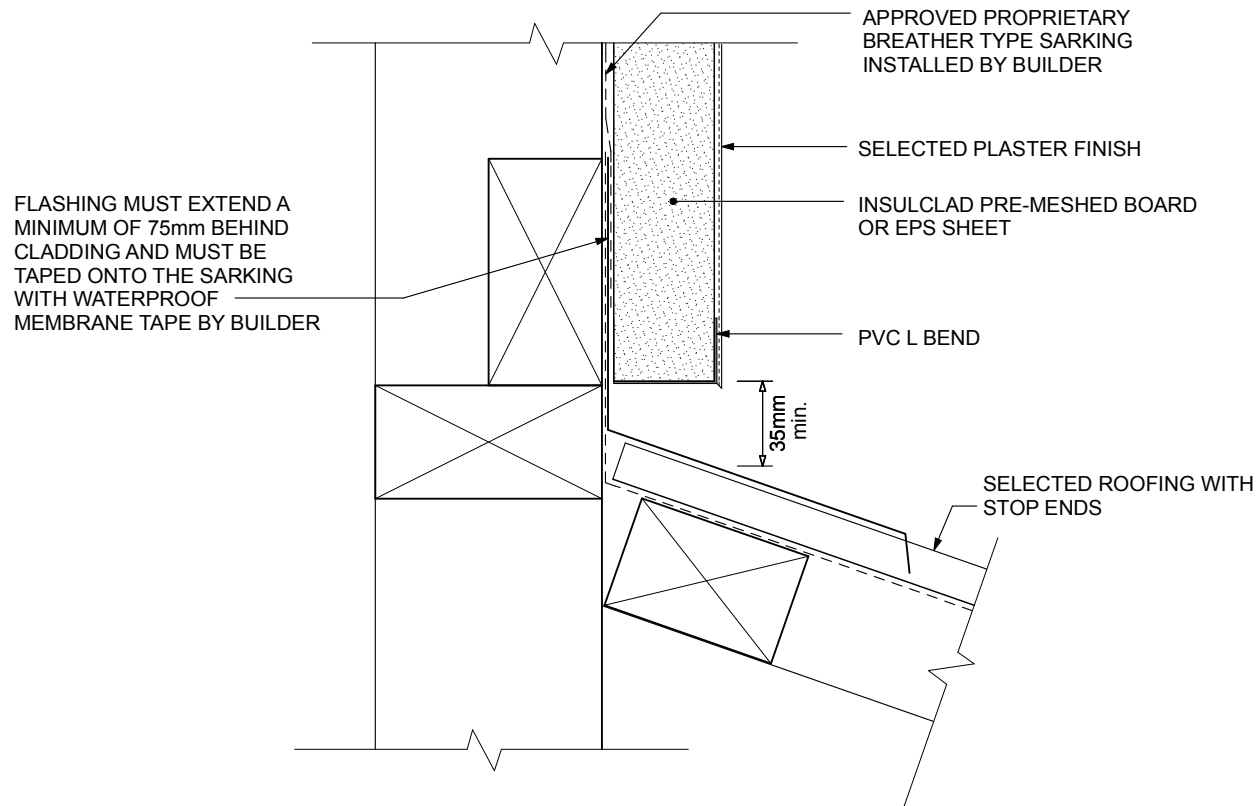


REBATED CONCRETE SLAB FLOOR - DIRECT FIXED

NOVEMBER 2010

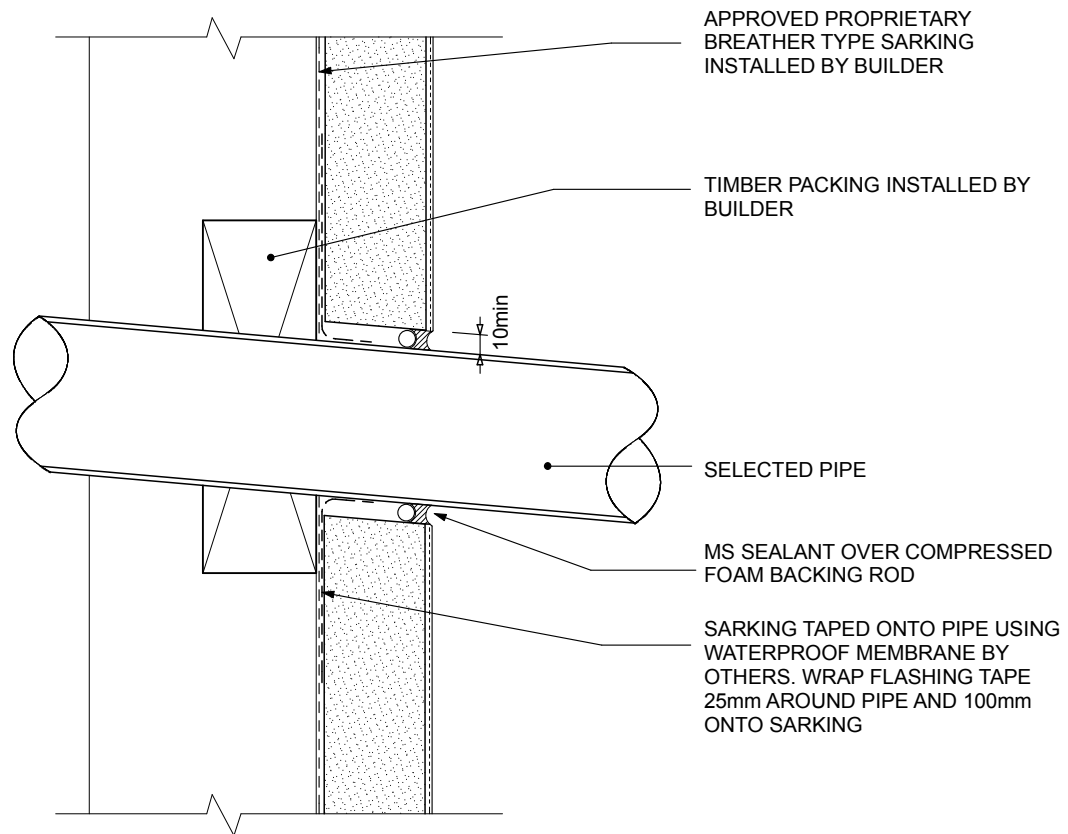
NOTE:

TERMITE BARRIERS TO BE INSTALLED AS REQUIRED BY THE BCA. SEEK PROFESSIONAL ADVICE



ROOF / WALL JUNCTION - DIRECT FIXED

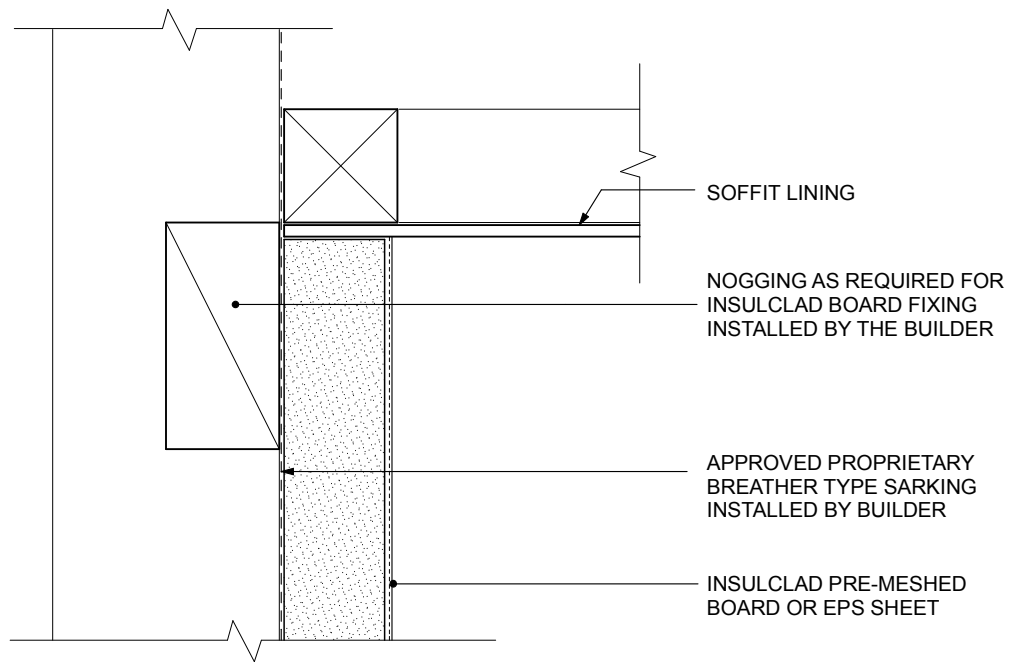
NOVEMBER 2010



PIPE PENETRATION - DIRECT FIXED

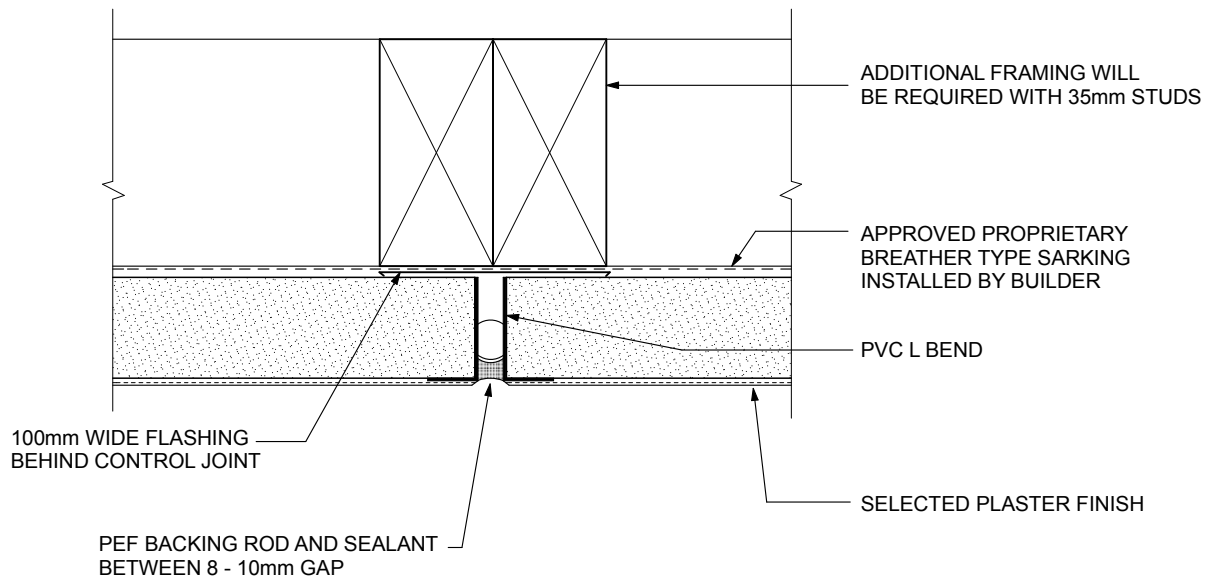
NOVEMBER 2010

COMMENT: WHERE POSSIBLE PIPE PENETRATIONS SHOULD BE INSTALLED SLOPING DOWN



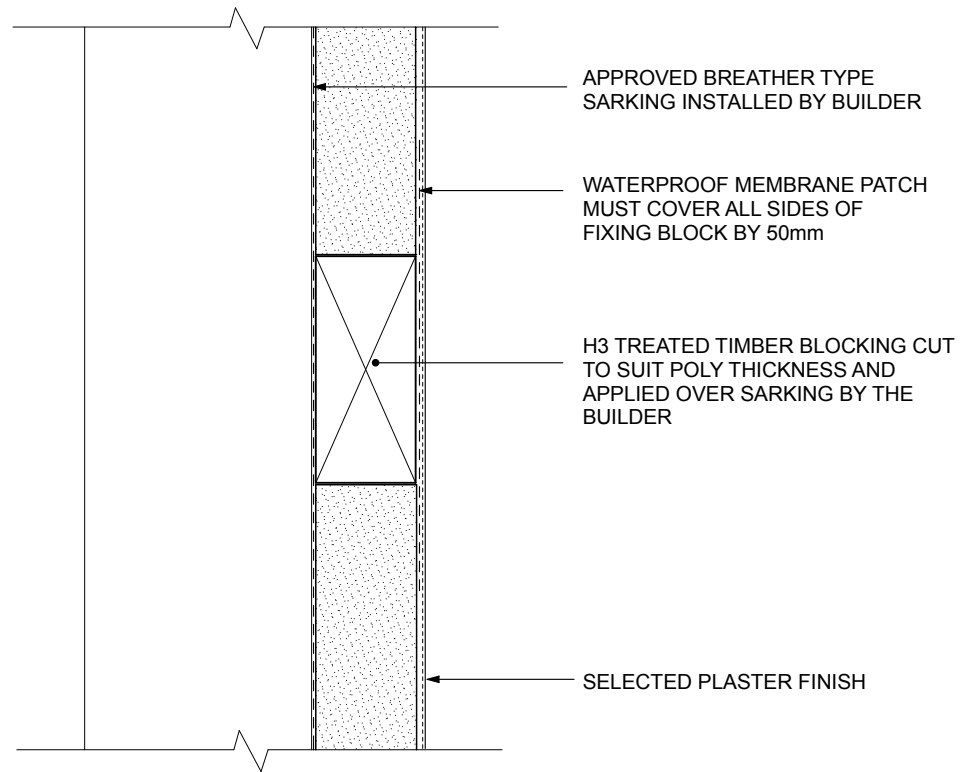
SOFFIT DETAIL - DIRECT FIXED

NOVEMBER 2010



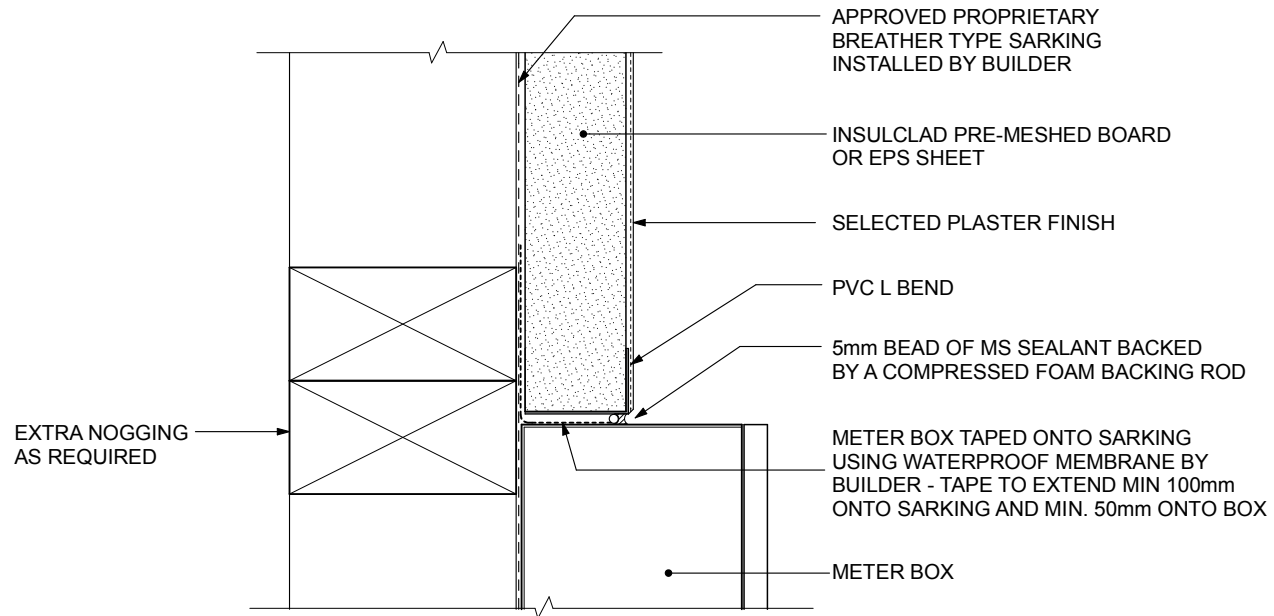
VERTICAL CONTROL JOINT - DIRECT FIXED

NOVEMBER 2010



FIXING BLOCK - DIRECT FIXED

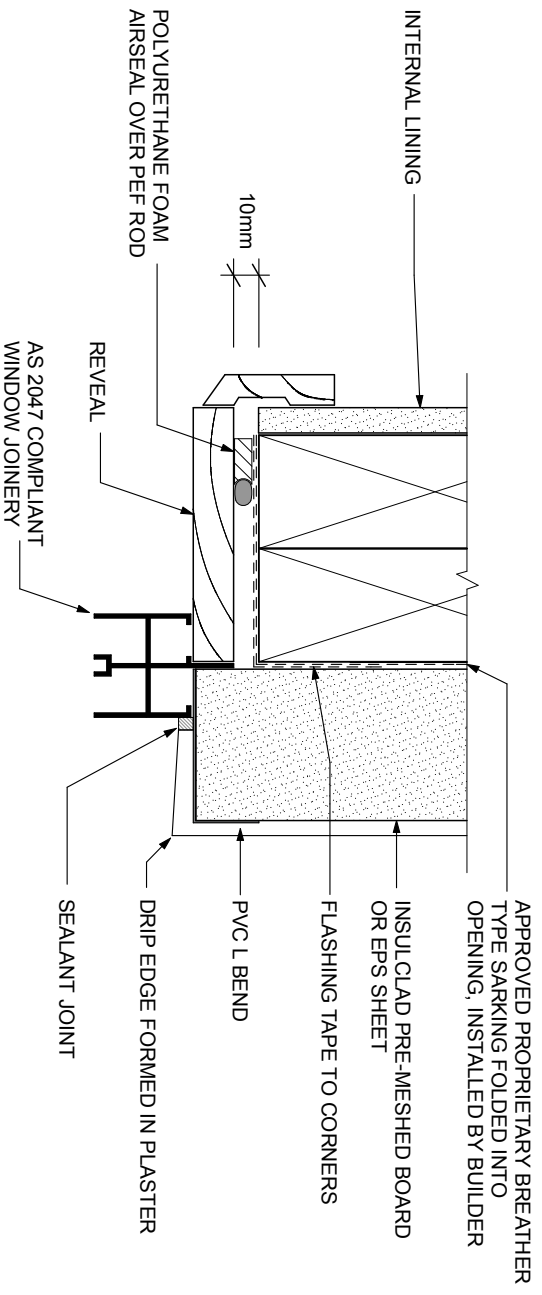
NOVEMBER 2010



METER BOX - HEAD AND JAMB - DIRECT FIXED

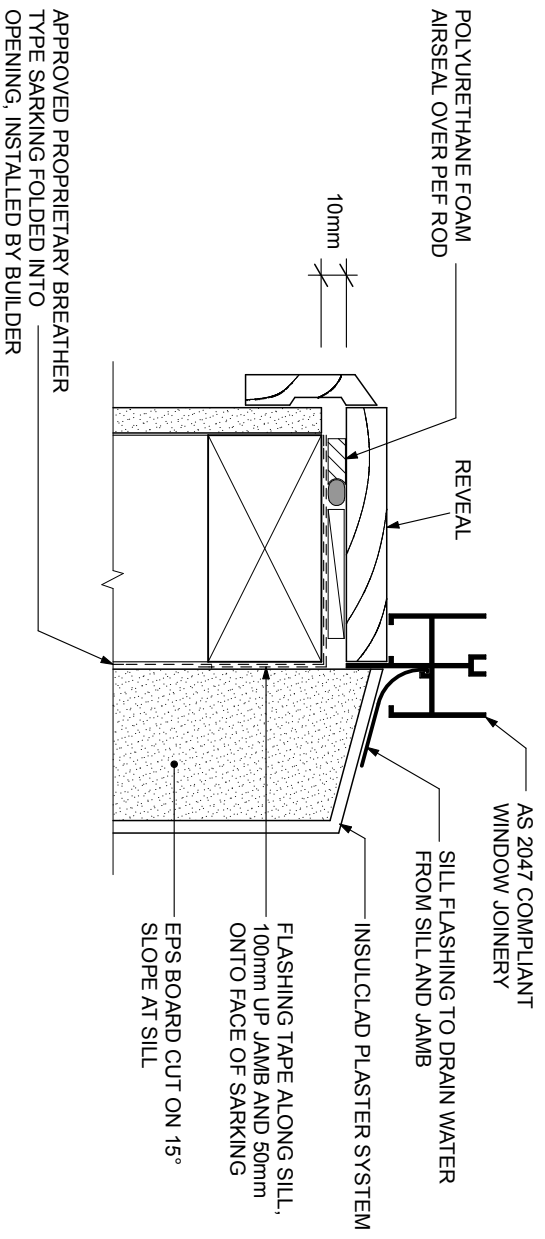
NOVEMBER 2010

NOTE:
METER BOXES MUST BE INSTALLED IN SHELTERED LOCATIONS



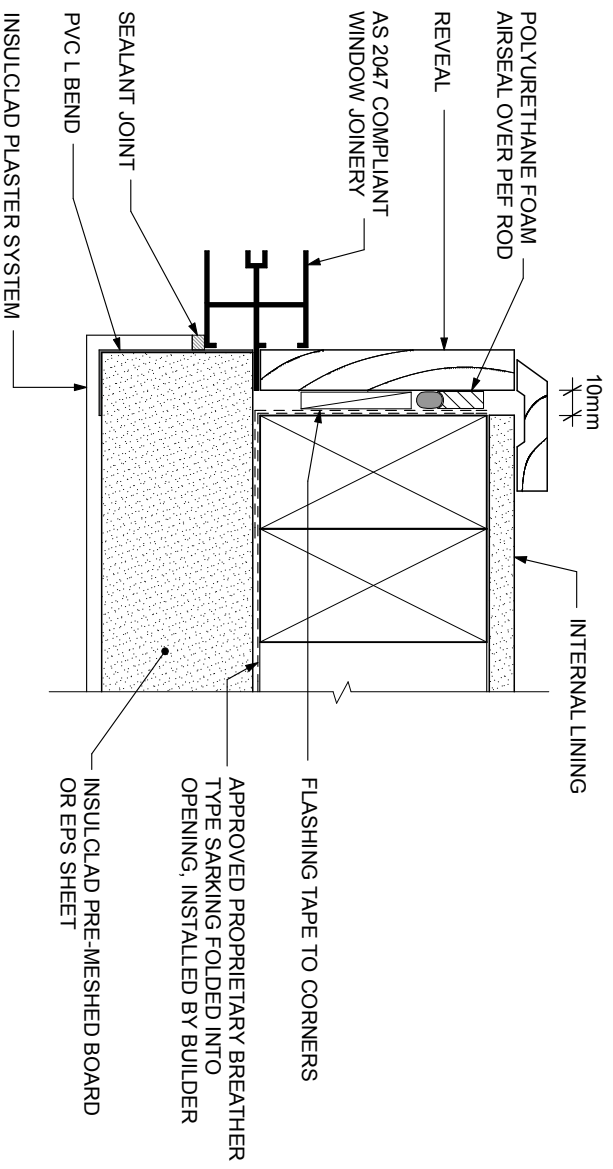
WINDOW HEAD - DIRECT FIXED

NOVEMBER 2010



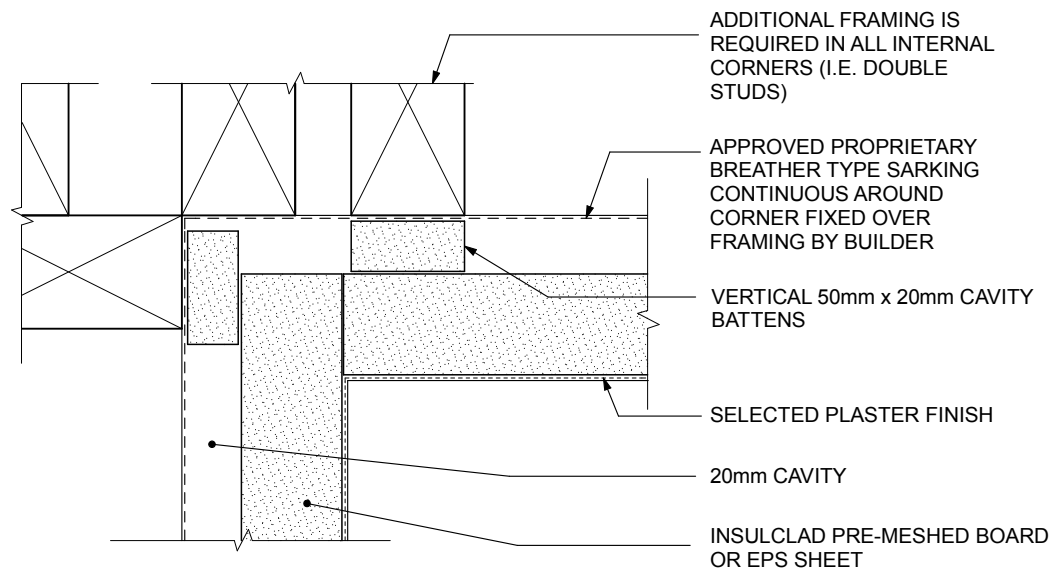
WINDOW SILL - DIRECT FIXED

NOVEMBER 2010



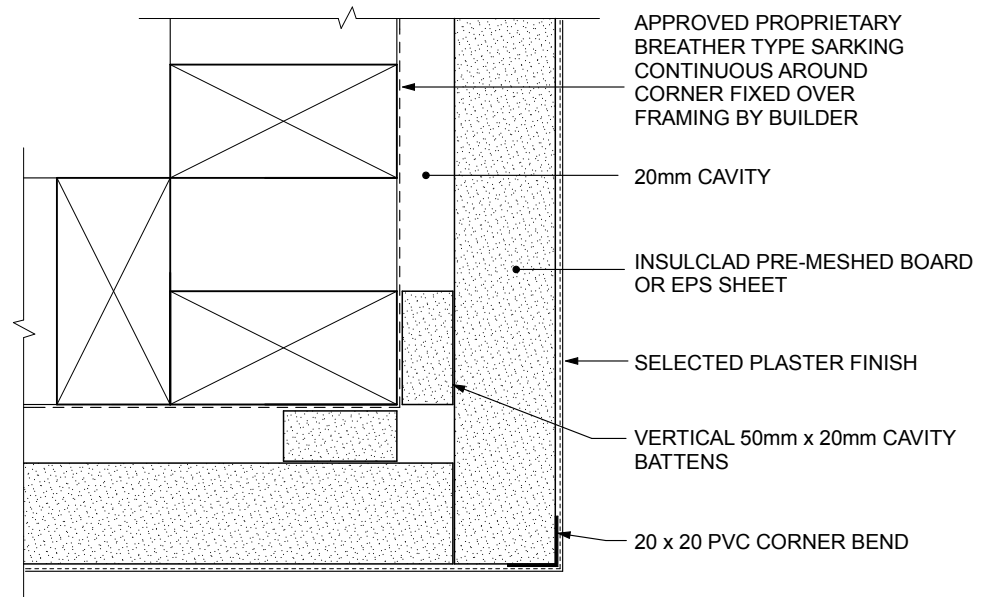
WINDOW JAMB - DIRECT FIXED

NOVEMBER 2010

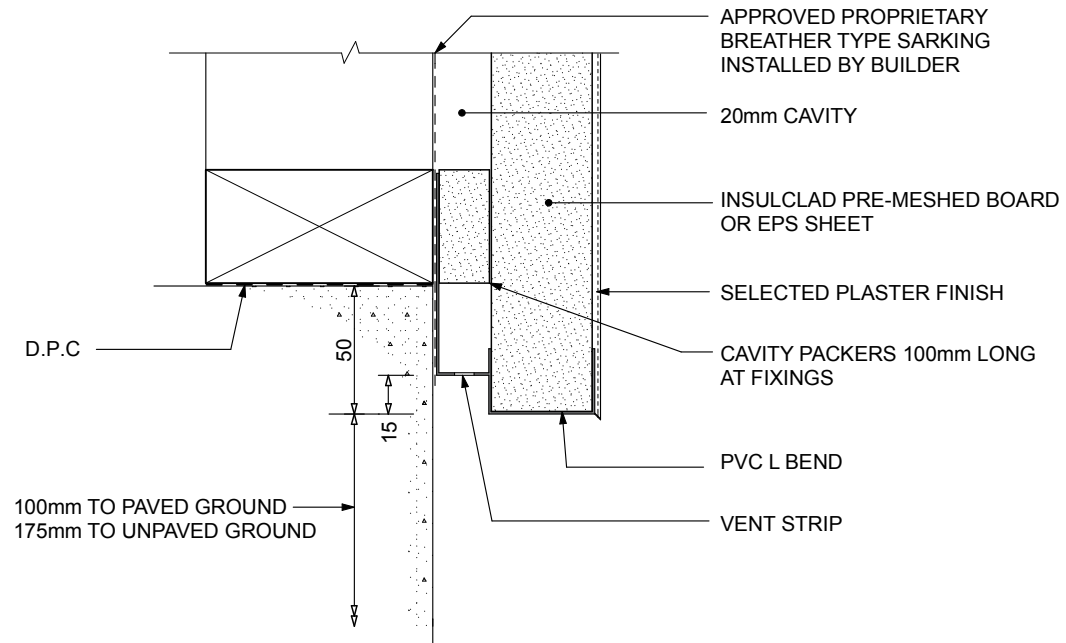


INTERNAL SQUARE CORNER - CAVITY

NOVEMBER 2010



EXTERNAL SQUARE CORNER - CAVITY
 NOVEMBER 2010

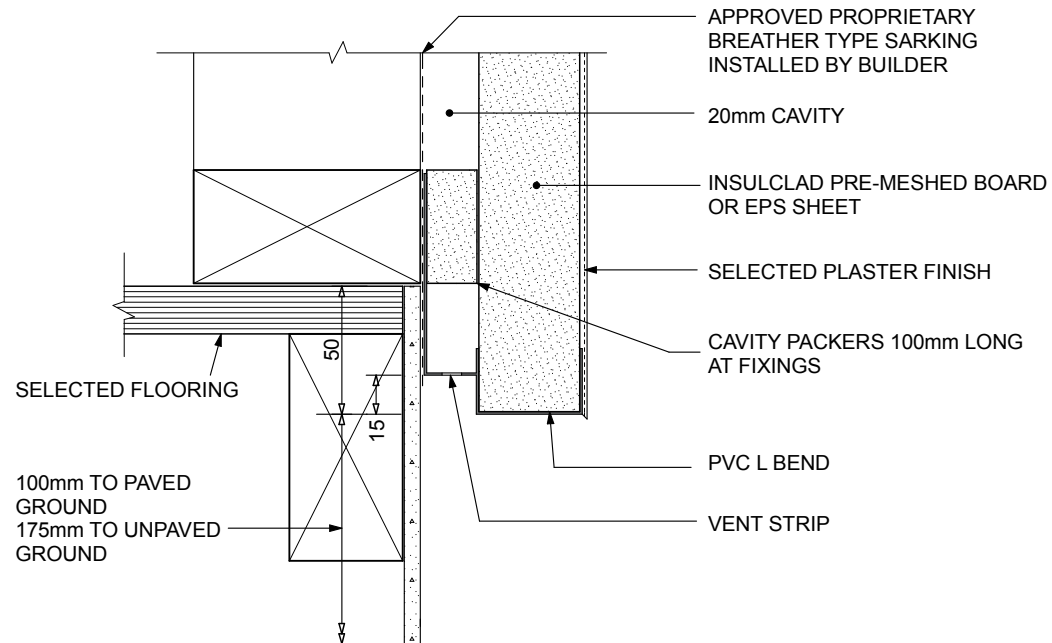


CONCRETE SLAB FLOOR - CAVITY

NOVEMBER 2010

NOTE:

PUNCHINGS IN VENT STRIP TO PROVIDE VENTILATION OPENINGS OF 1000mm² PER LINEAL METRE
TERMITE BARRIERS TO BE INSTALLED AS REQUIRED BY THE BCA. SEEK PROFESSIONAL ADVICE

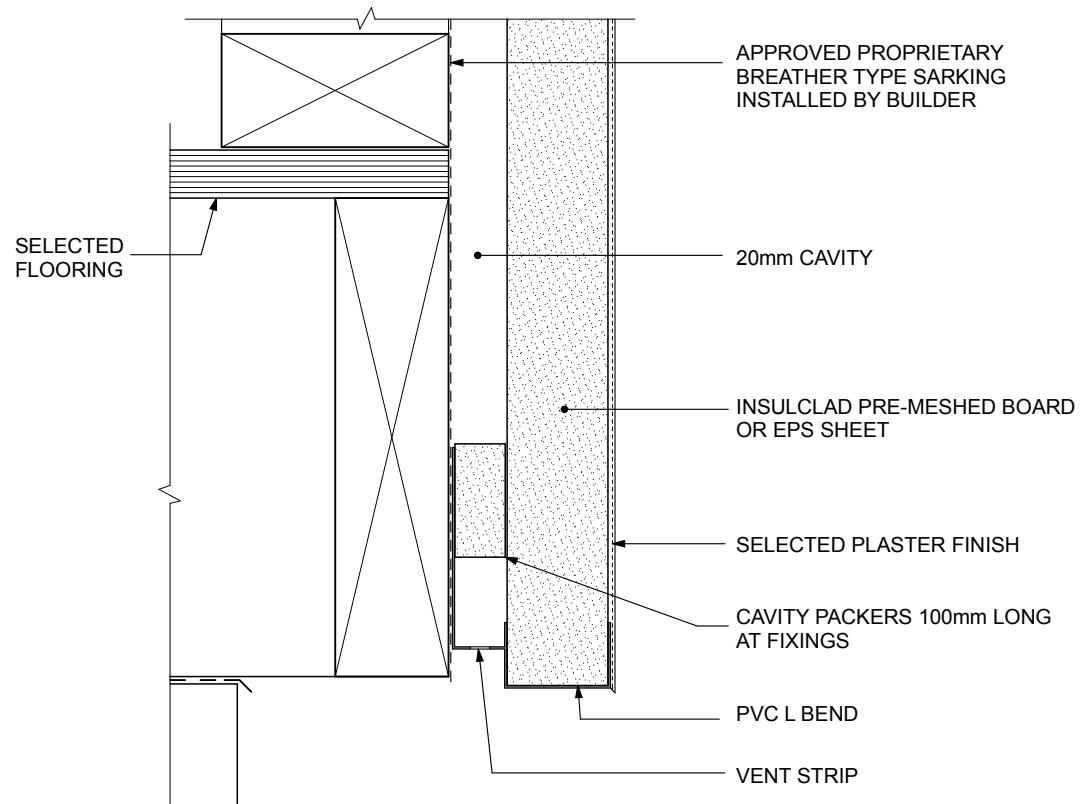


TIMBER FLOOR FOUNDATION - CAVITY

NOVEMBER 2010

NOTE:

PUNCHINGS IN VENT STRIP TO PROVIDE VENTILATION OPENINGS OF 1000mm² PER LINEAL METRE
 TERMITE BARRIERS TO BE INSTALLED AS REQUIRED BY THE BCA. SEEK PROFESSIONAL ADVICE

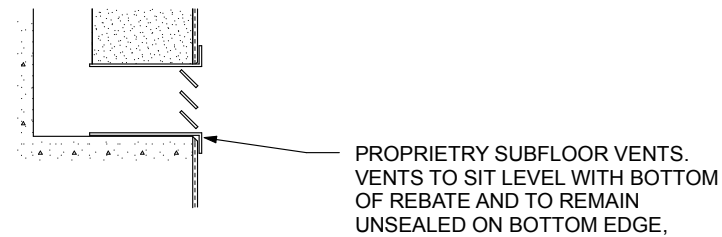
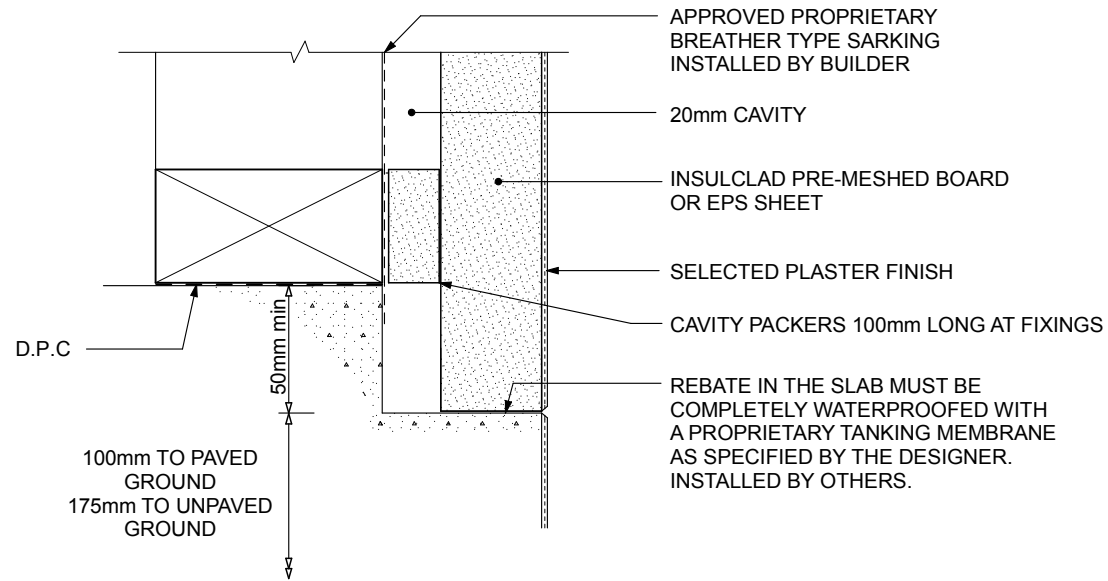


PIER FOUNDATION - CAVITY

NOVEMBER 2010

NOTE:

PUNCHINGS IN VENT STRIP TO PROVIDE VENTILATION OPENINGS OF 1000mm² PER LINEAL METRE
 TERMITE BARRIERS TO BE INSTALLED AS REQUIRED BY THE BCA. SEEK PROFESSIONAL ADVICE



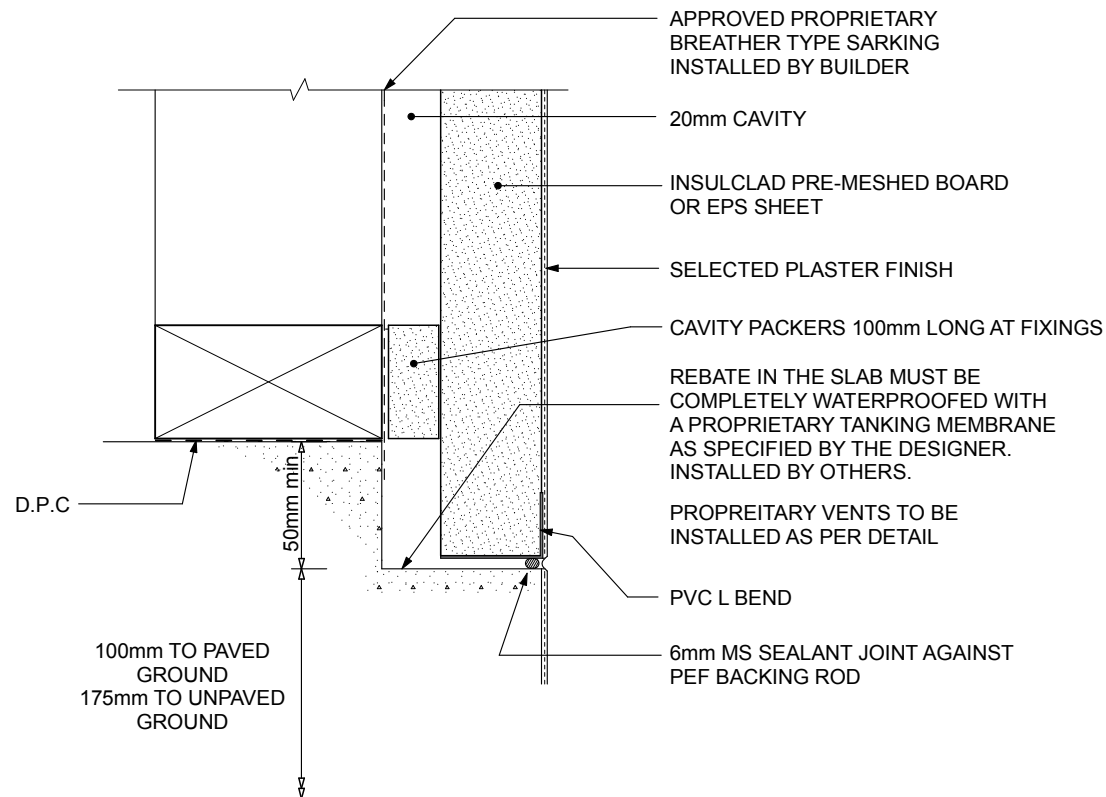
TYPICAL VENT DETAIL

REBATED CONCRETE SLAB FLOOR - CAVITY

NOVEMBER 2010

NOTE:

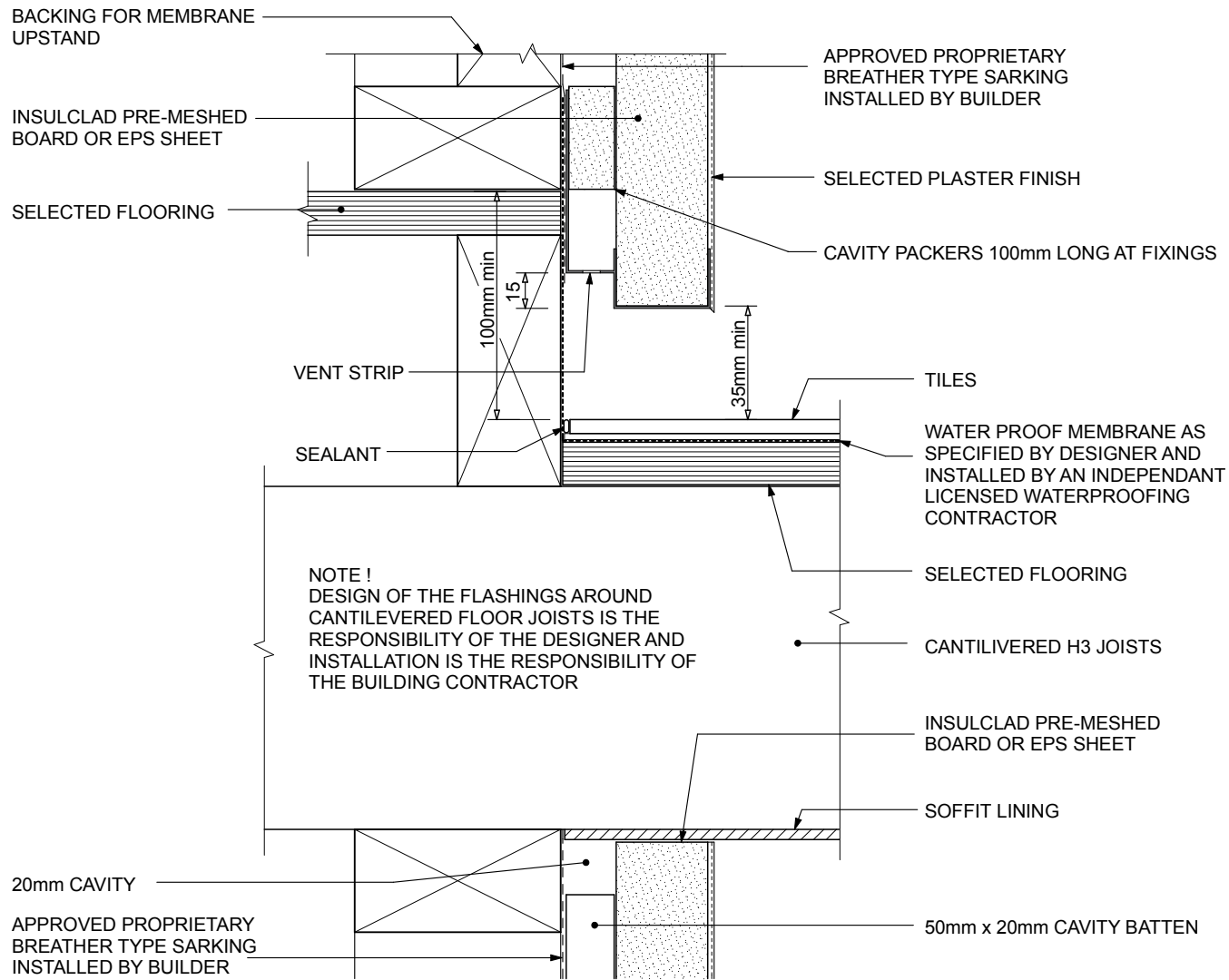
OPENINGS IN VENTS TO PROVIDE VENTILATION OPENINGS OF 1000mm² PER LINEAL METRE
TERMITE BARRIERS TO BE INSTALLED AS REQUIRED BY THE BCA. SEEK PROFESSIONAL ADVICE



REBATED CONCRETE SLAB FLOOR - CAVITY (IN BETWEEN VENTS)

NOVEMBER 2010

NOTE:
TERMITE BARRIERS TO BE INSTALLED AS REQUIRED BY THE BCA. SEEK PROFESSIONAL ADVICE

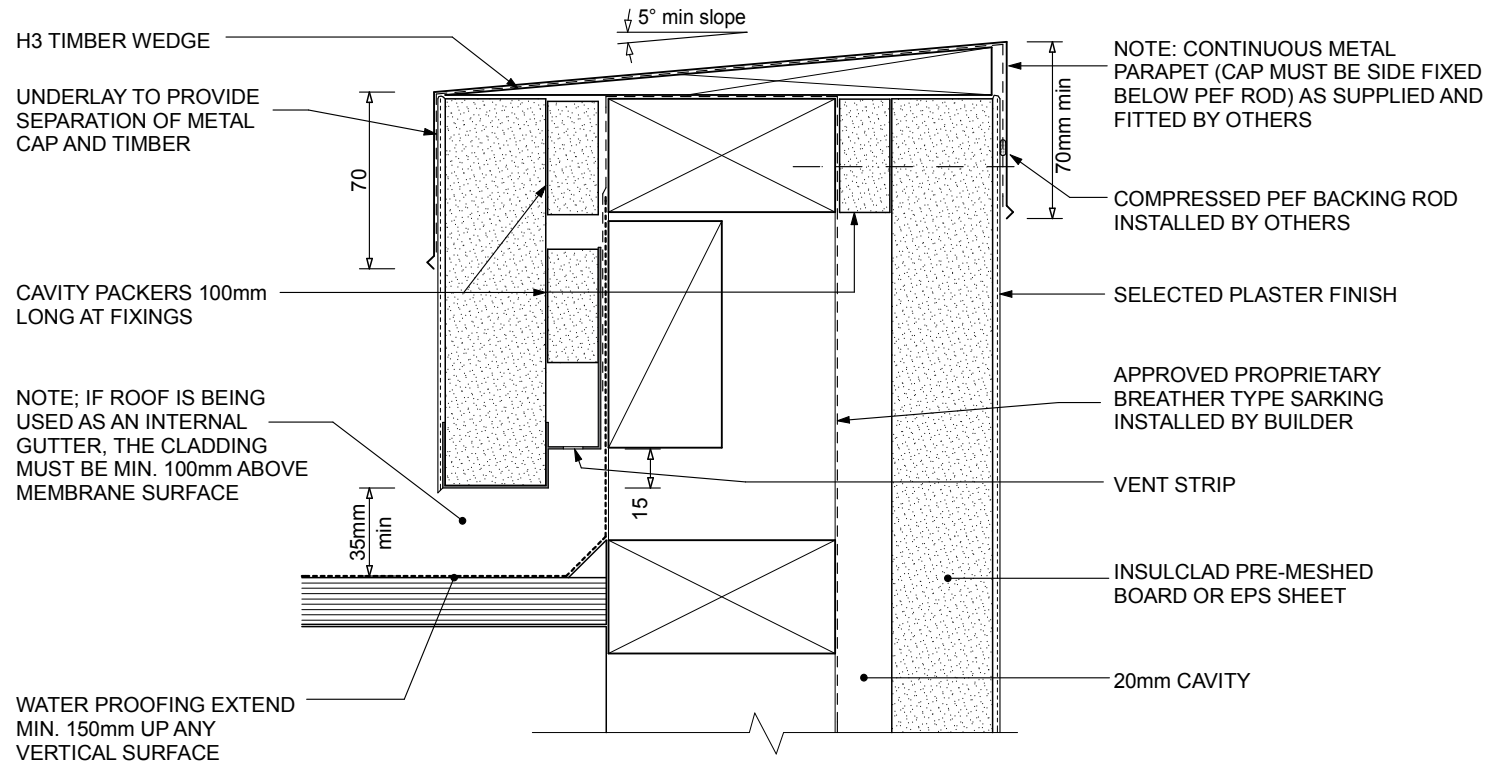


ENCLOSED BALCONY - CAVITY

NOVEMBER 2010

NOTE:

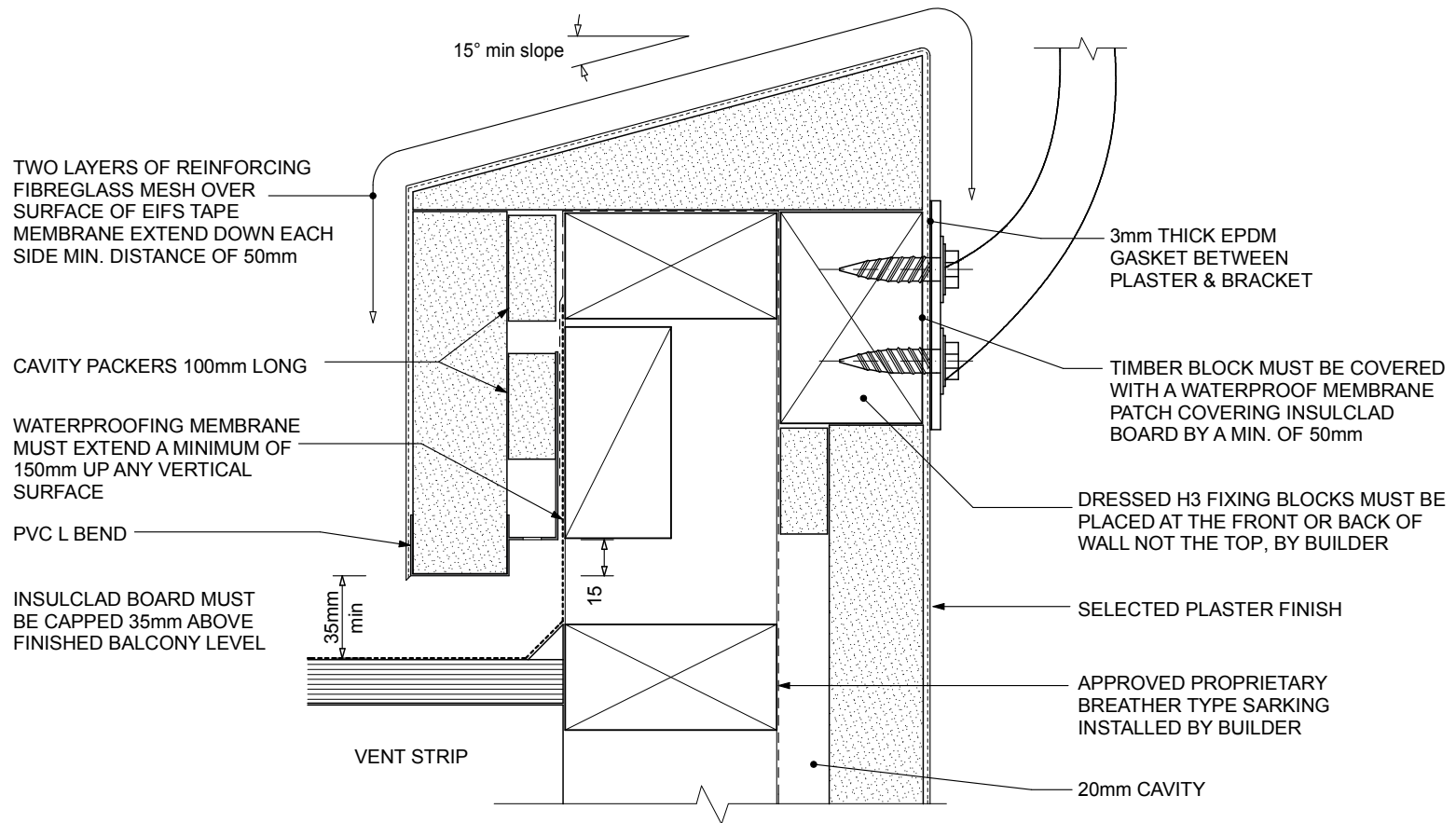
PUNCHINGS IN VENT STRIP TO PROVIDE VENTILATION OPENINGS OF 1000mm² PER LINEAL METRE
TERMITE BARRIERS TO BE INSTALLED AS REQUIRED BY THE BCA. SEEK PROFESSIONAL ADVICE



PARAPET METAL CAPPING - CAVITY

NOVEMBER 2010

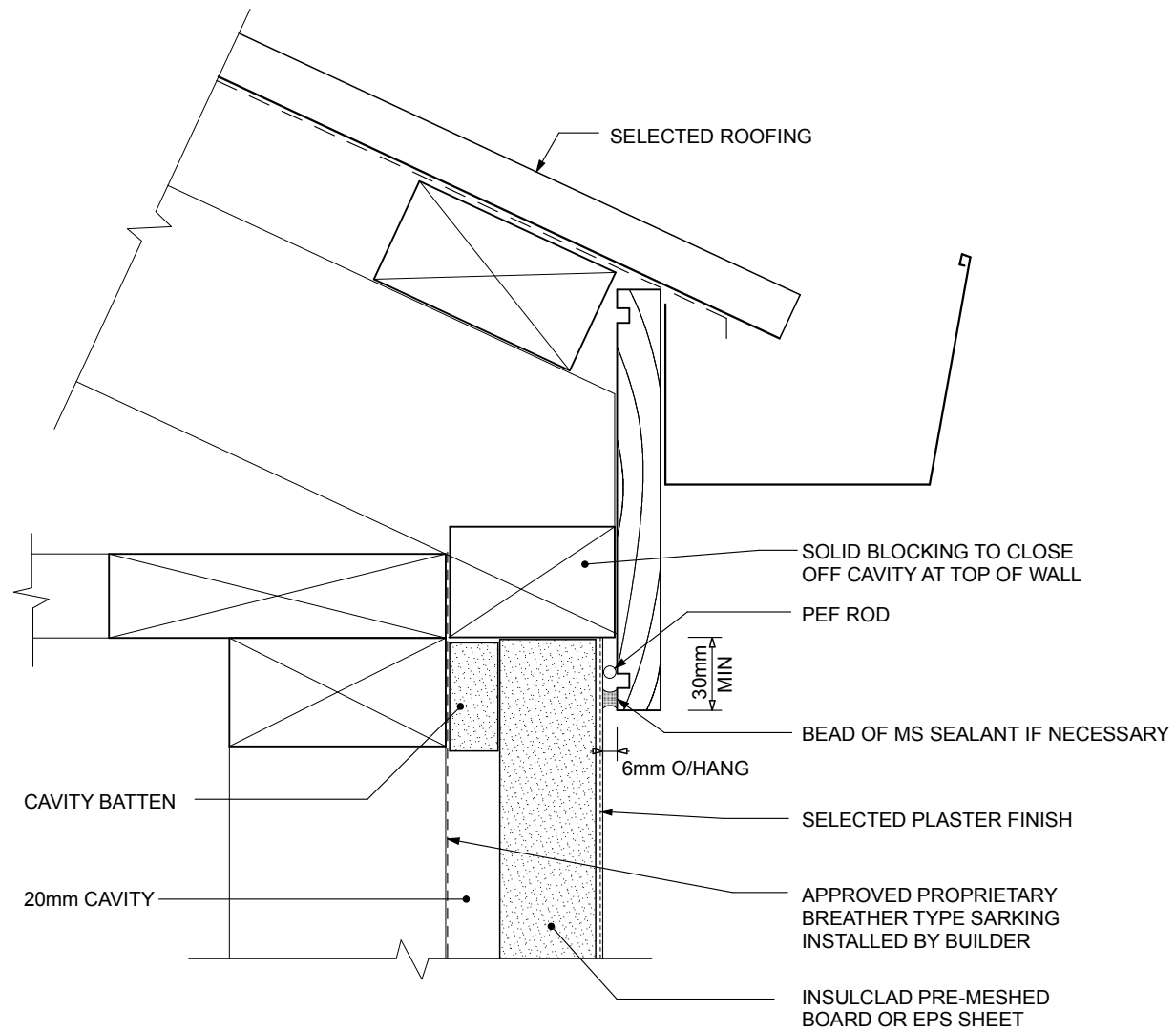
NOTE:
PUNCHINGS IN VENT STRIP TO PROVIDE VENTILATION OPENINGS OF 1000mm² PER LINEAL METRE



BALCONY CAPPING - CAVITY

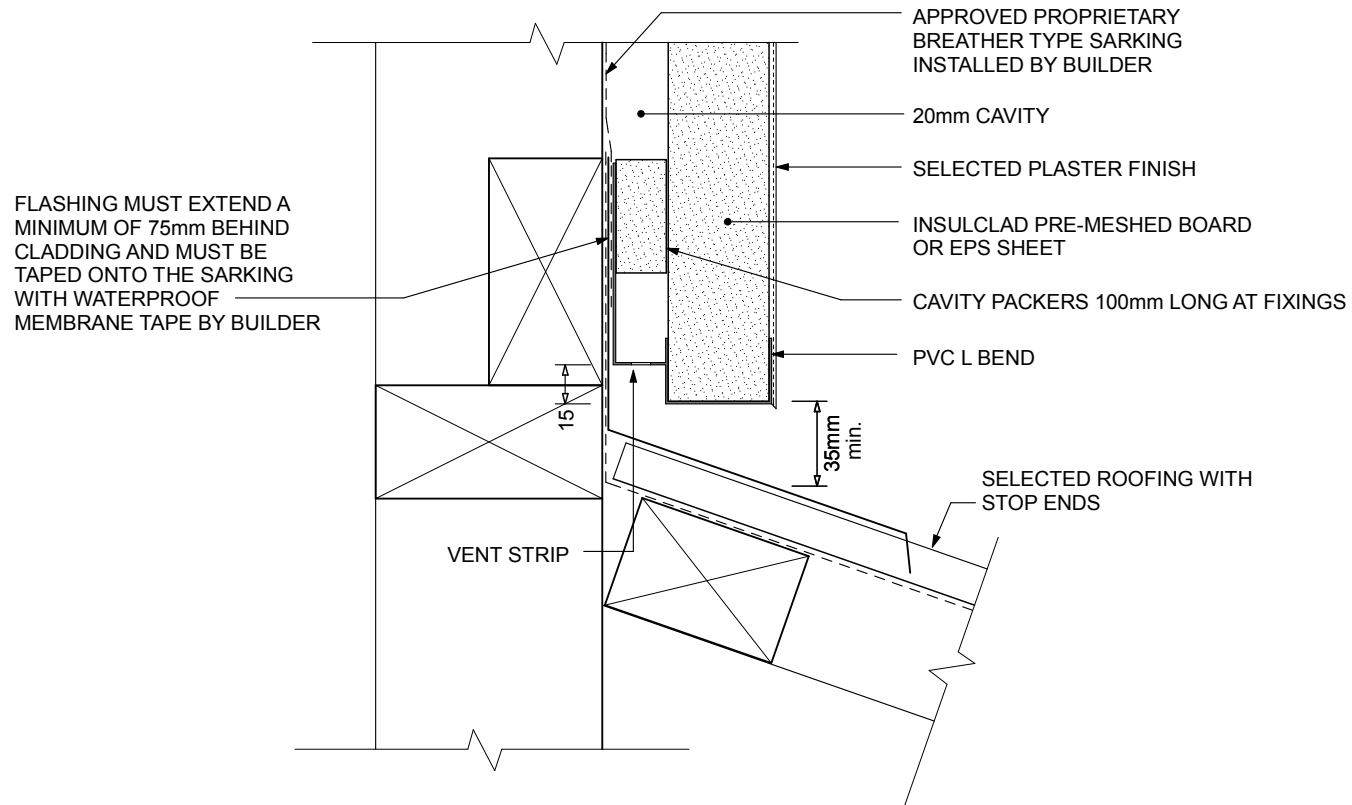
NOVEMBER 2010

NOTE:
PUNCHINGS IN VENT STRIP TO PROVIDE VENTILATION OPENINGS OF 1000mm² PER LINEAL METRE



FLUSH EAVES - CAVITY

NOVEMBER 2010

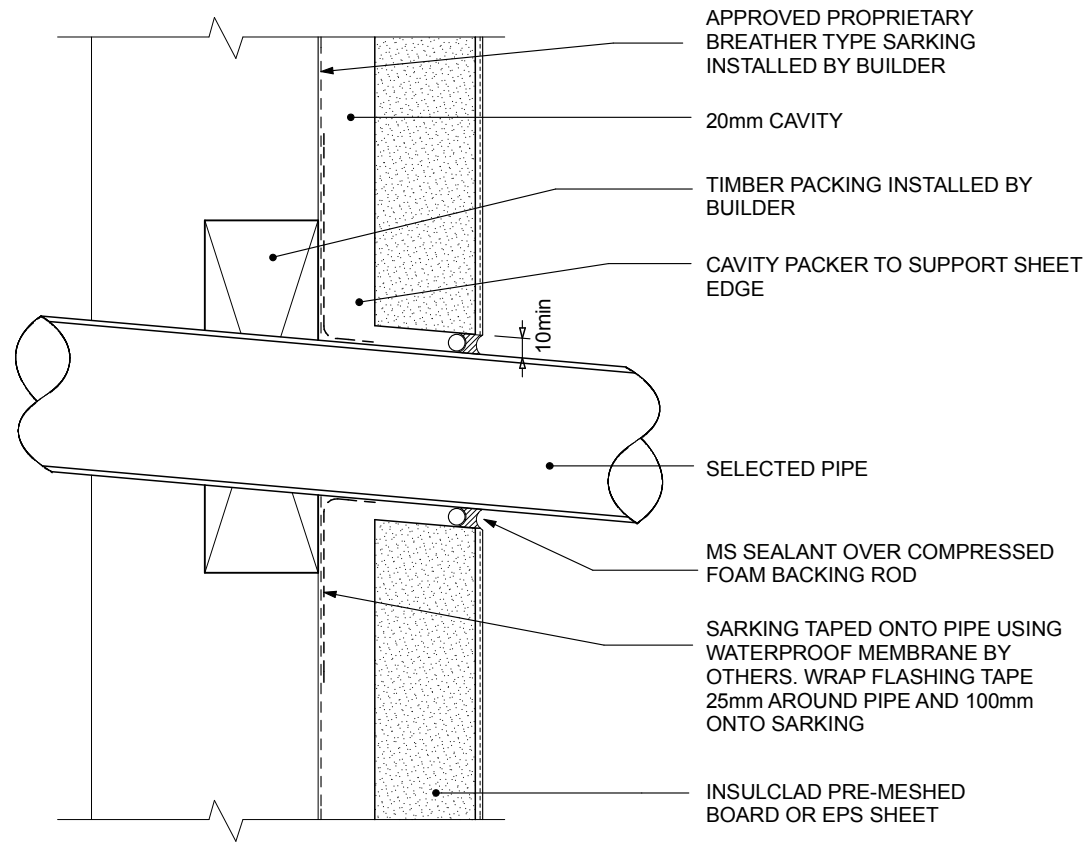


ROOF / WALL JUNCTION - CAVITY

NOVEMBER 2010

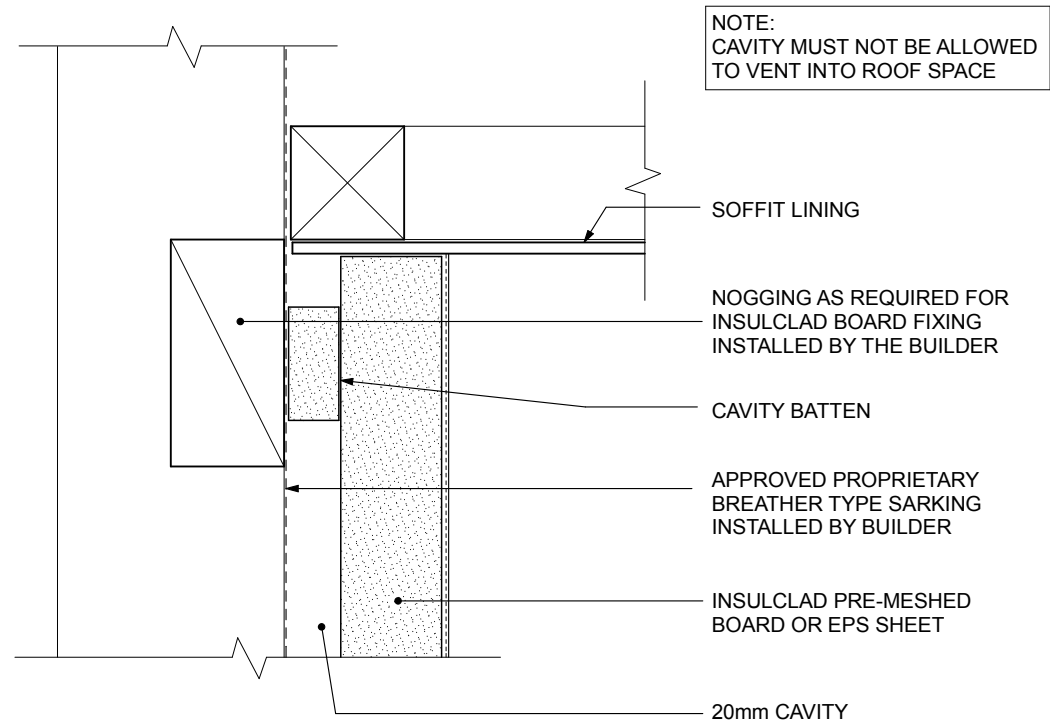
NOTE:

PUNCHINGS IN VENT STRIP TO PROVIDE VENTILATION OPENINGS OF 1000mm² PER LINEAL METRE

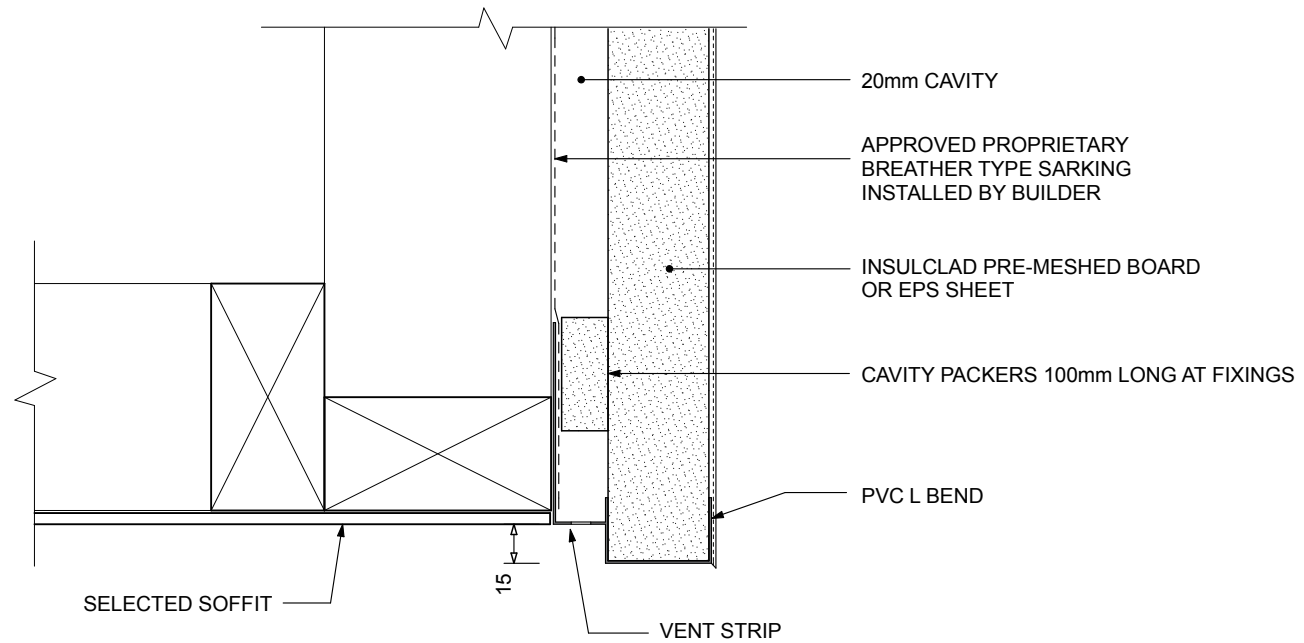


PIPE PENETRATION - CAVITY
NOVEMBER 2010

COMMENT: WHERE POSSIBLE PIPE PENETRATIONS SHOULD BE INSTALLED SLOPING DOWN



SOFFIT DETAIL - CAVITY
NOVEMBER 2010

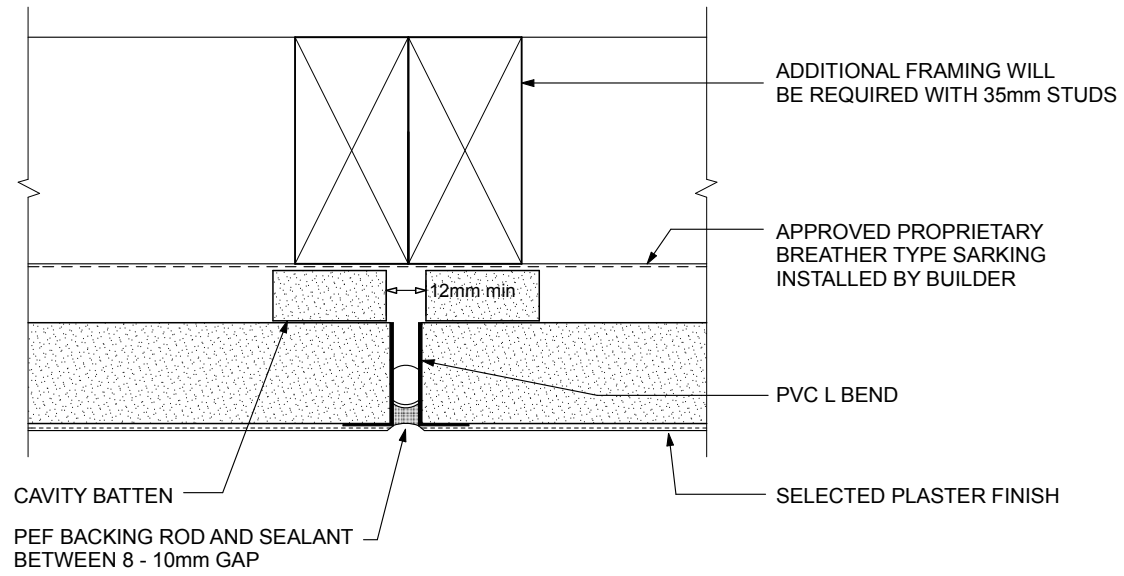


SOFFIT EDGE DETAIL - CAVITY

NOVEMBER 2010

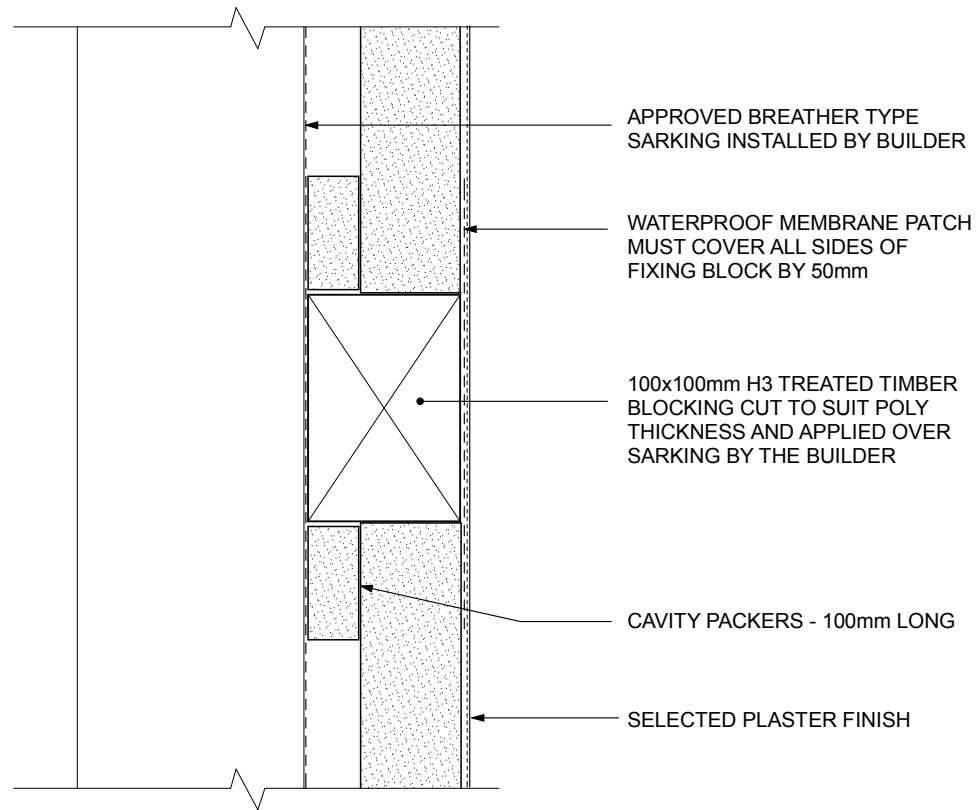
NOTE:

PUNCHINGS IN VENT STRIP TO PROVIDE VENTILATION OPENINGS OF 1000mm² PER LINEAL METRE



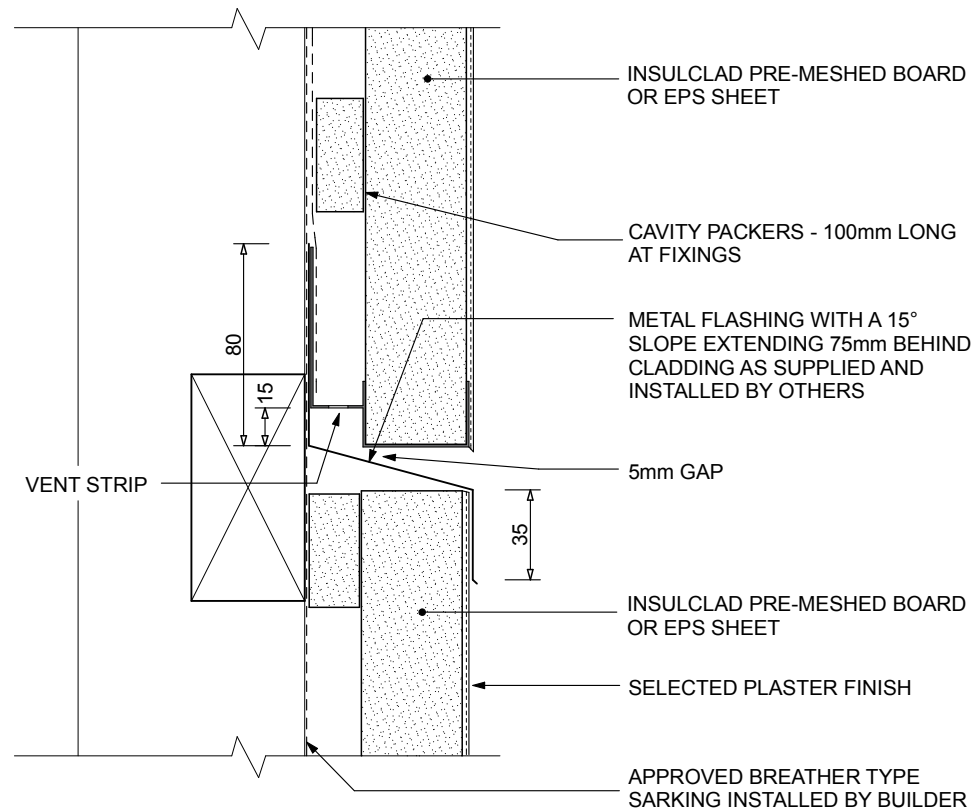
VERTICAL CONTROL JOINT - CAVITY

NOVEMBER 2010



FIXING BLOCK - CAVITY

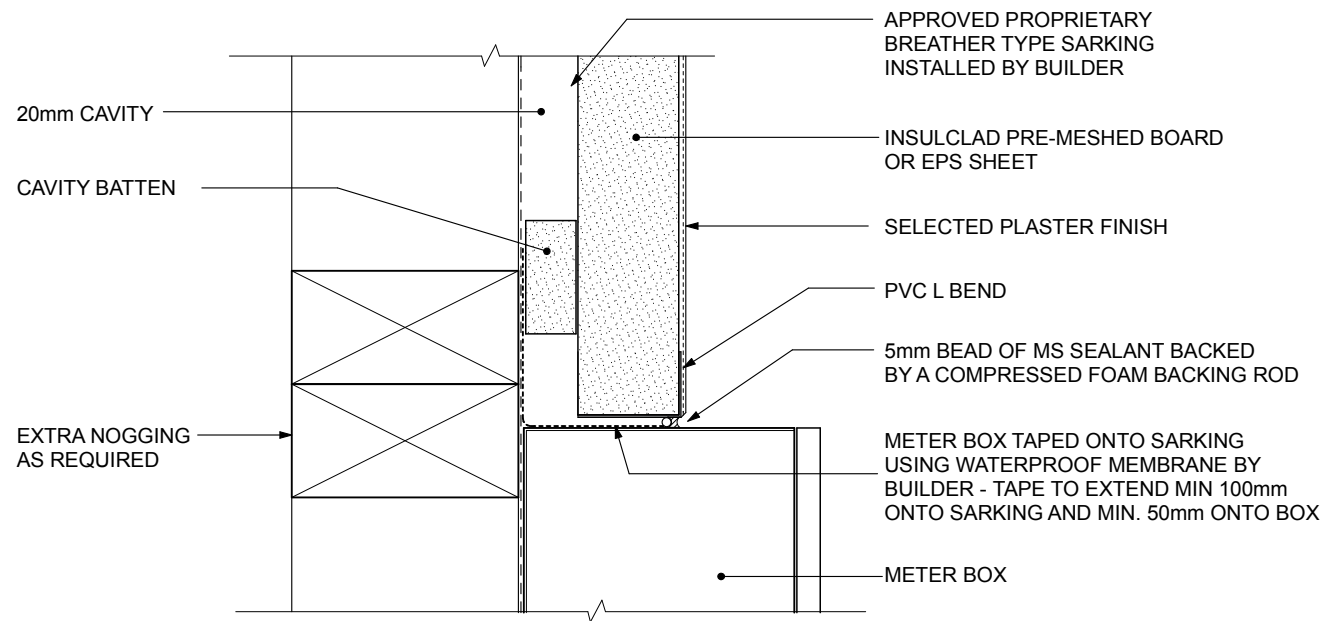
NOVEMBER 2010



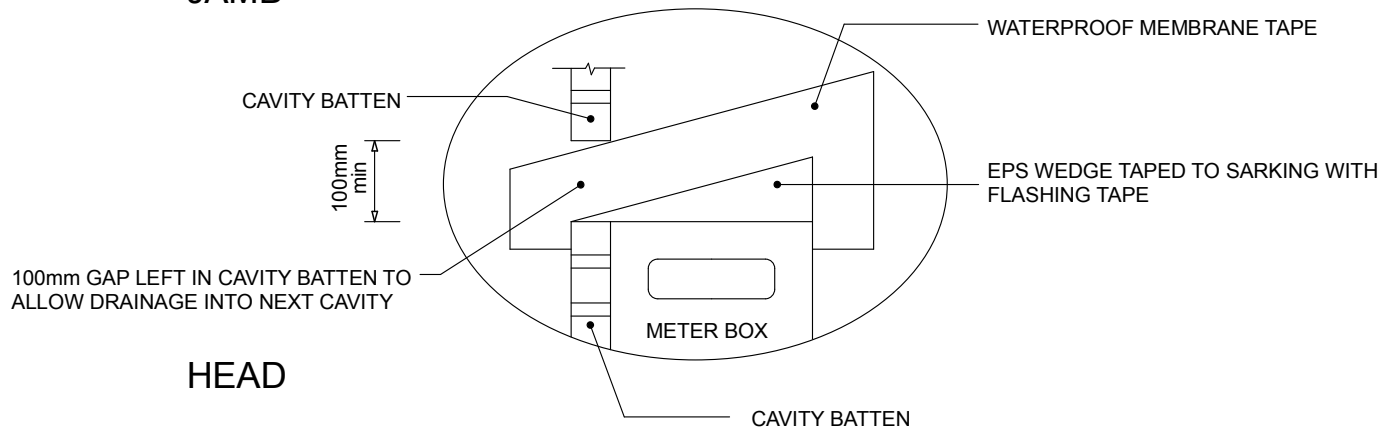
INTERSTOREY DRAINAGE JOINT - CAVITY

NOVEMBER 2010

NOTE:
 THIS DETAIL IS REQUIRED AT THE SECOND STOREY JOIST LEVEL
 PUNCHINGS IN VENT STRIP TO PROVIDE VENTILATION OPENINGS OF
 1000mm² PER LINEAL METRE



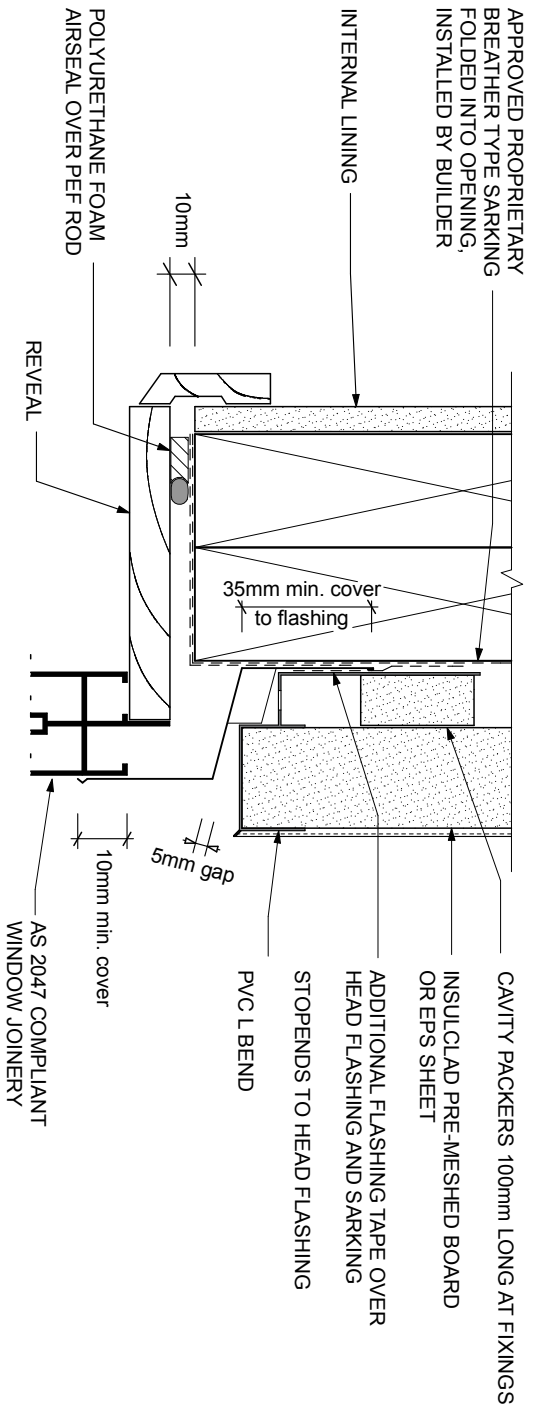
JAMB



HEAD

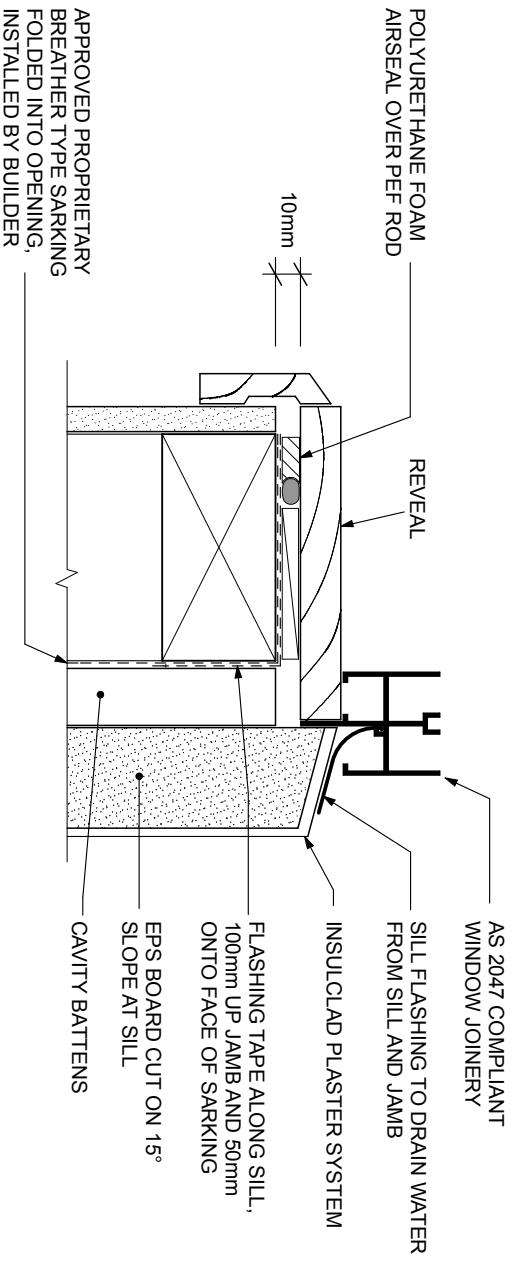
METER BOX - HEAD AND JAMB - CAVITY

NOVEMBER 2010



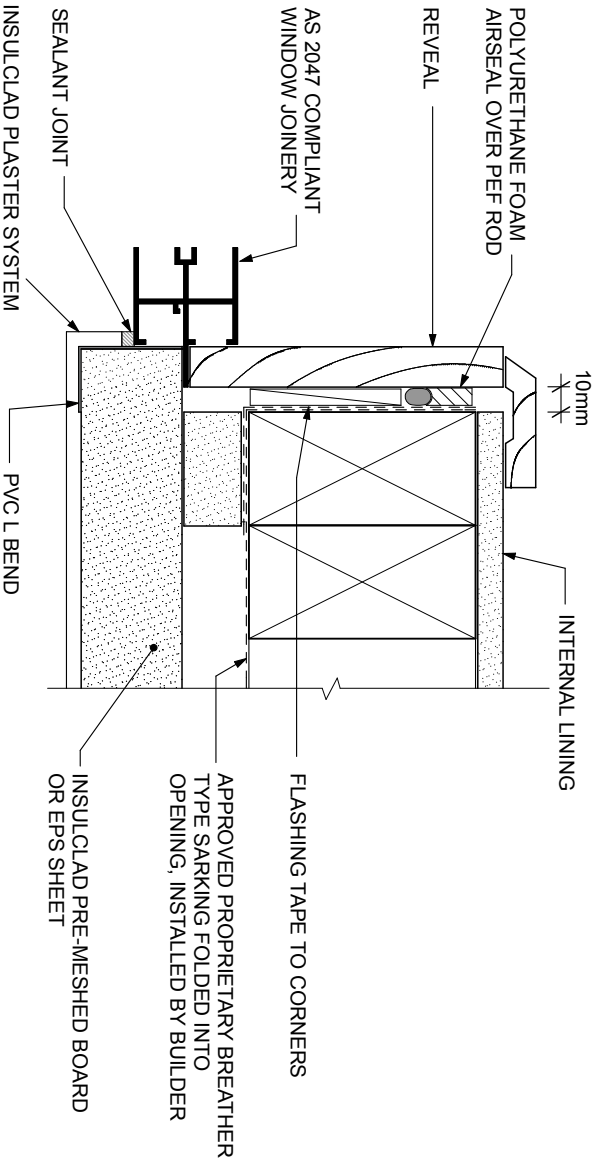
WINDOW HEAD - CAVITY

NOVEMBER 2010



WINDOW SILL - CAVITY

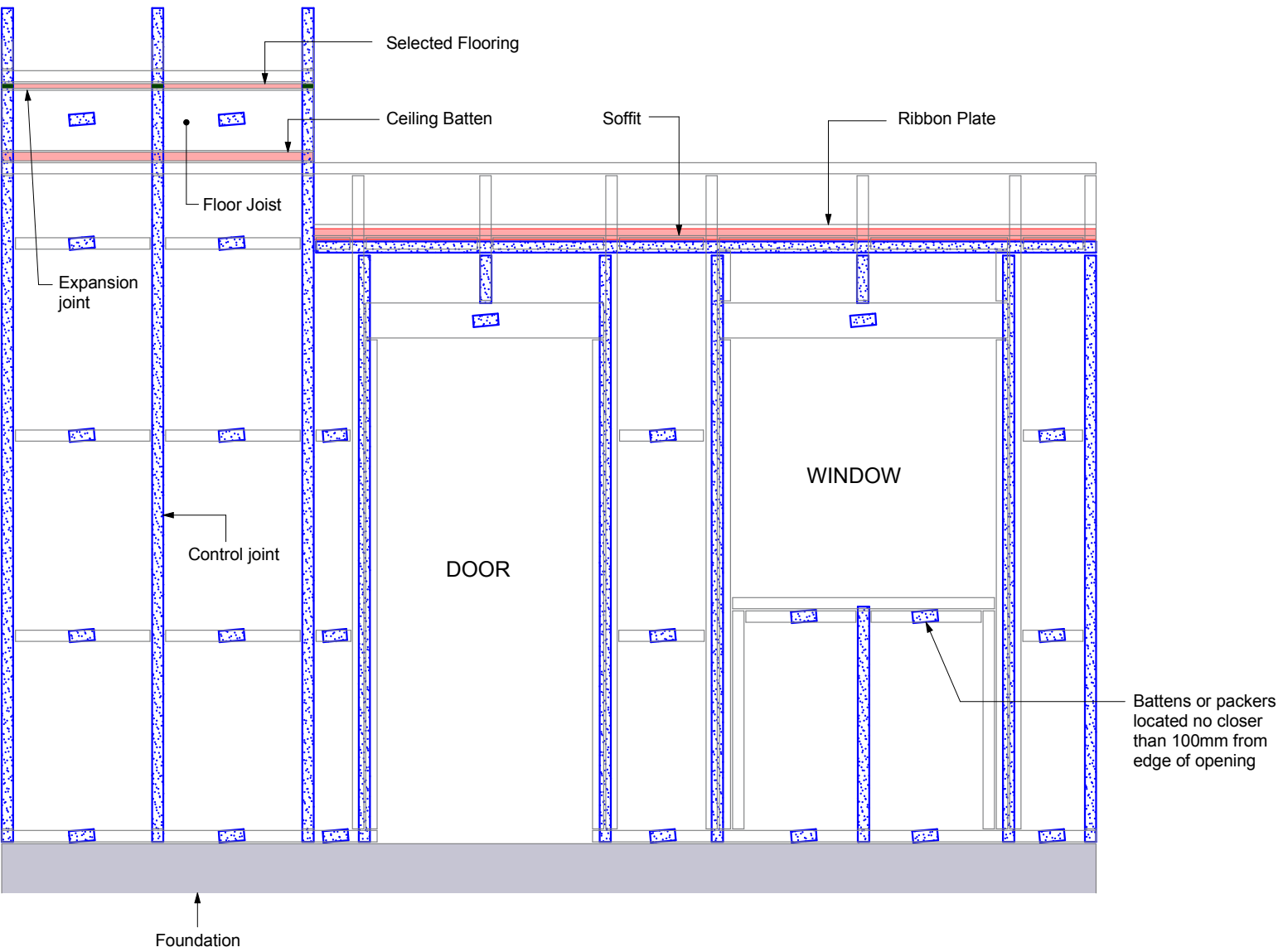
NOVEMBER 2010



WINDOW JAMB - CAVITY

NOVEMBER 2010

TYPICAL BATTEN LAYOUT



NOTES:

- If additional wall insulation is being installed, the sarking must be supported by polypropylene builders strap stapled along the wall at 300mm centres to stop the wrap bulging.
- All horizontal battens must be applied on a minimum slope of 15 degrees and be no longer than 100mm in length. (Only one horizontal packer may be placed between vertical battens.)