



FOAMEX
DIAMOND PODS®

Leading the way in concrete
slab filling solutions.



AUSTRALIAN OWNED &
MANUFACTURED PRODUCT.

BCA COMPLIANT

FOAMEX
innovative polystyrene

ENVIRONMENTAL SUSTAINABILITY

Foamex is committed to a sustainable environment, and this commitment means that we have one of the highest levels of pod recycling in Australia; over 650 metric tonnes per year, nationally.

In order to reduce the volume of waste that ends up in landfill, Foamex offers a unique service where we can arrange to pick up any Diamond Pod offcuts from building sites. We collect these offcuts and recycle them into new Diamond Pods.

Recyclability is built into our process.



Parliament House - A.C.T



NO WATER USED.

The unique design of the Pod moulding machine ensures that all Foamex Diamond Pods use no water in their moulding.

No other design does this.

SCRAP RECYCLING.

The Diamond Pod design allows for all scrap to be picked up from sites and be recycled at a much higher percentage than alternative systems, thereby reducing the carbon footprint.

DIAMOND PODS®

ABOUT DIAMOND PODS®

Foamex Diamond Pods® are a strong, yet lightweight polystyrene void former system for concrete slabs.

Designed specifically for residential, commercial and industrial markets, Diamond Pods® provide under slab insulation and support, while reducing the effects of soil movement and lowering the amount of concrete required for a build.

With Foamex Diamond Pods® construction is quicker and more cost effective compared to traditional pours. A high level of insulation is achieved through the natural air pockets in the expanded polystyrene and the moulded cells within the pod design. The superior thermal insulation properties also make Diamond Pods® ideal for use in any residential home or commercial building.



Expanded polystyrene pods have contributed to a revolution in slab construction methods, enabling stronger, better engineered slabs to be constructed faster and cost effectively over traditional methods. EPS pods are unaffected by water, and therefore safer as there are no trenches to cave in during construction. The inclusion of EPS pods in a slab also adds an insulation benefit of up to R1.0 (W/mK thermal resistance), which helps to reduce energy consumption in the home¹



¹ Expanded Polystyrene Australia
<http://epsa.org.au/about-eps/eps-in-building/pod/>

NSW Foamex Polystyrene Pty Ltd P: 02 9773 1655
VIC Foamex Group Pty Ltd P: 03 9720 4200
SA Foamex South Australia Pty Ltd P: 08 8349 9919
QLD Polyfoam (Brisbane) Pty Ltd P: 07 3390 8955
TAS Polyfoam Tasmania P: 03 6263 6900

www.diamondpods.com.au
www.foamex.com.au

DIAGRAM 1 EXAMPLE OF TYPICAL FOAMEX DIAMOND POD SLAB

Diagrams show typical:

- Pod Detail.
- Spacer Detail.
- Reinforcement Details.
- Stepdown Details.
- Edge Beam Details.



DIAGRAM 2

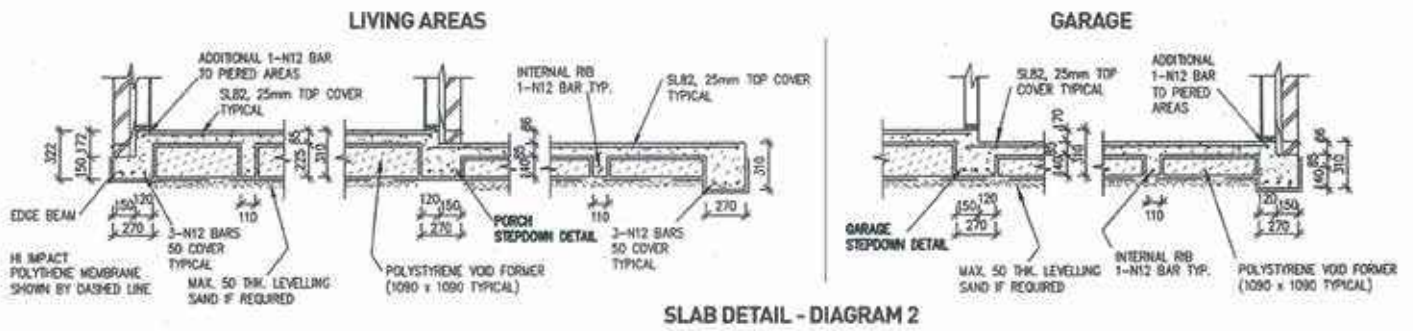
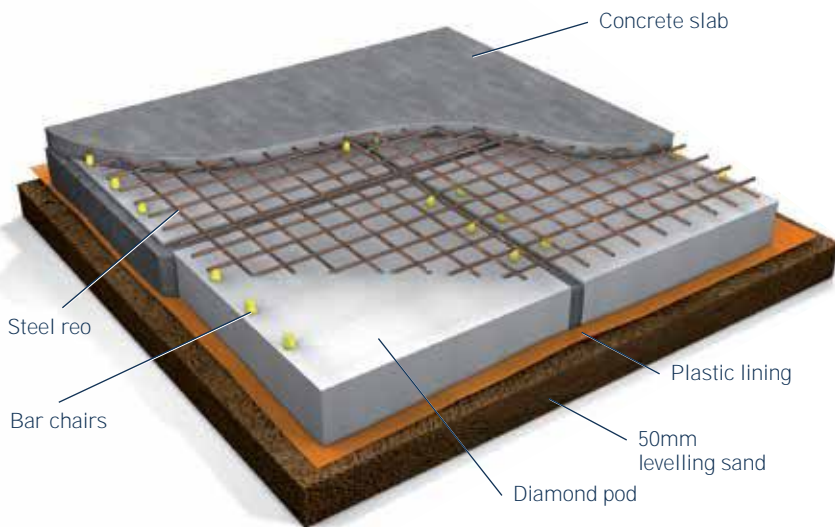


DIAGRAM 3 TYPICAL DIAMOND POD SECTION



TYPICAL DIAMOND POD SECTION - DIAGRAM 3

ACCESSORIES

- Edge Beam Spacer
- One/Two Way spacer
- Four Way Internal/External Spacer



Examples of internal and external spacers.

FEATURES & BENEFITS

- Lightweight and easy to handle
- Strong and durable
- Long term R-value (thermal value)
- Low water absorption
- Made from fire retardant grade raw material
- Comparatively inert and dimensionally stable
- Produces no ozone depleting gases – CFC and VOC free
- Manufactured in Australia
- Complies with Australian Building Codes & Standards

FIRE PROPERTIES

As a key member of Expanded Polystyrene Australia (EPSA), Foamex are committed to supplying EPS blocks that are only made with fire retardant material. Unlike cheap imports, Foamex Diamond Pods® are manufactured using a fire retardant grade raw material to significantly reduce the risk of fire, improve personal and public safety and offer better property protection.



UNIQUE DESIGN

The unique size and shape of the Diamond Pod offers optimal support for foot traffic during construction – setting out the pods, placing the reinforcing steel and pouring the concrete. The foam deck of the Diamond Pod is thicker than other pods, and additional material is compacted into the base during the moulding process, meaning a concreter's boot is supported by the deck which spreads the load across a minimum of four support pillars.

The design of Foamex Diamond Pods® matched with the patented Minuteman moulding machine creates a much more uniform and high strength pod, ideal for production and for the end user.



The unique Diamond Pod design

THE ONLY TRUE NATIONAL MANUFACTURER.

Foamex is the only national manufacturer who can promise at a national level and deliver at a local level.

NSW

Foamex Polystyrene Pty Ltd
31 Mavis St
REVESBY NSW 2212
P: 02 9773 1655
F: 02 9773 1907

VIC

Foamex Group Pty Ltd
31 – 33 Gatwick Rd
BAYSWATER NORTH VIC 3153
P: 03 9720 4200
F: 03 9729 5050

SA

Foamex South Australia Pty Ltd
8 – 10 Waldaree St
GEPPS CROSS SA 5094
P: 08 8349 9919
F: 08 8349 9910

QLD

Polyfoam (Brisbane) Pty Ltd
43 Proprietary St
TINGALPA QLD 4173
P: 07 3390 8955
F: 07 3390 8956

TAS

Polyfoam Tasmania
113 Cove Hill Rd
BRIDGEWATER TAS 7030
P: 03 6263 6900
F: 03 6263 6966

ABOUT FOAMEX

Australian owned and operated, Foamex has been supplying builders and specifiers with quality building products for over 30 years. With branches located across the country, Foamex is well known for its product innovation and testing, as well as a dedicated team, resulting in a superior and versatile building product.

For more information and technical details please contact your local Foamex sales representative.

